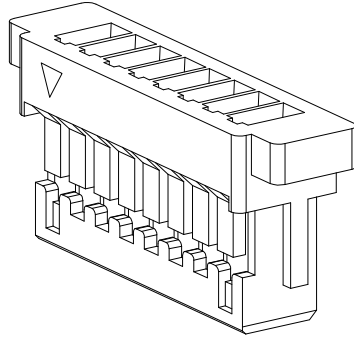


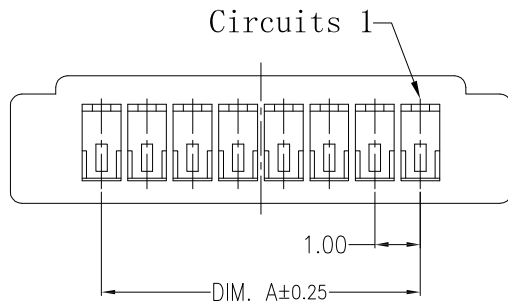
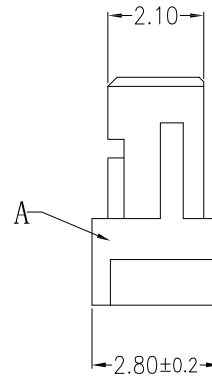
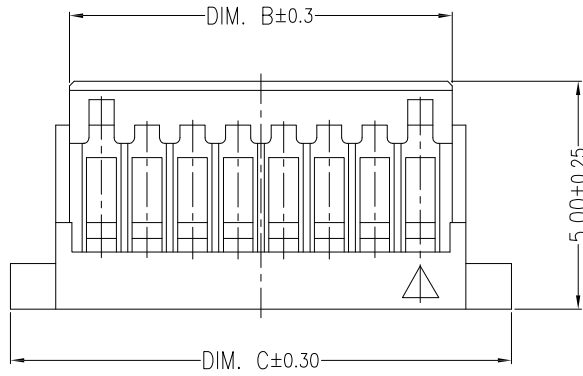
仅供参考

REV.	REVISION RECORD	DATE
A0	新图面发行	2017.06.16



主要技术参数 Main Specifications

线数 (Poles): 02 to 20
 接触电阻 (Contact resistance): $\leq 20m\Omega$
 绝缘电阻 (Insulation resistance): $\geq 100M\Omega$
 额定电压 (Rated voltage): 50V AC DC
 额定电流 (Rated current): 1.0A AC DC
 耐电压 (Withstand Voltage): 500V AC/minute
 温度范围 (Temperature Range): $-25^{\circ}C \sim +85^{\circ}C$



Circuits	Dimensions (mm)			Circuits	Dimensions (mm)		
	DIM. A	DIM. B	DIM. C		DIM. A	DIM. B	DIM.
02	1.00	2.40	5.00	10	9.00	10.40	13.00
03	2.00	3.40	6.00	11	10.00	11.40	14.00
04	3.00	4.40	7.00	12	11.00	12.40	15.00
05	4.00	5.40	8.00	13	12.00	13.40	16.00
06	5.00	6.40	9.00	14	13.00	14.40	17.00
07	6.00	7.40	10.00	15	14.00	15.40	18.00
08	7.00	8.40	11.00	16	15.00	16.40	19.00
09	8.00	9.40	12.00				

A	PEDESTAL	1 PCS	PA66	COLOR:WHITE
TFM	COMPONENT	Q'TY	MATERIAL	FINISH

	GENERAL TOLERANCES		SCALE: 1:1	NAME	DATE	深圳市思拓展电子有限公司 SHENZHEN SINOTOP ELECTRONICS CO., LTD 公司网址: www.szsituo.cn 公司电话: 0755-23765350 邮 箱: 2850175982@qq.com 公司传真: 0755-23765341	PART. NO:
	LINEAR	ANGLES	APPROVED				ST-WF-100-001Y
	0.0 ± 0.30	X° REF ± 6°	DESIGNER				DWG. NO:
	UNIT: MM	0.00 ± 0.20	X° ± 3°	DRAWN	肖坤权		2017.06.16
SIZE: A4	0.000 ± 0.10	X° X' ± 2°				REV: A0	SHEET: 1/1