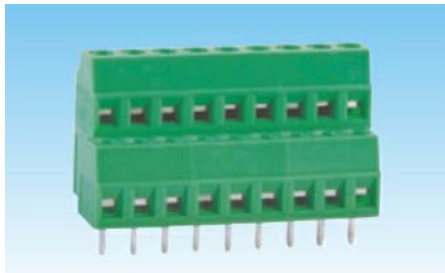
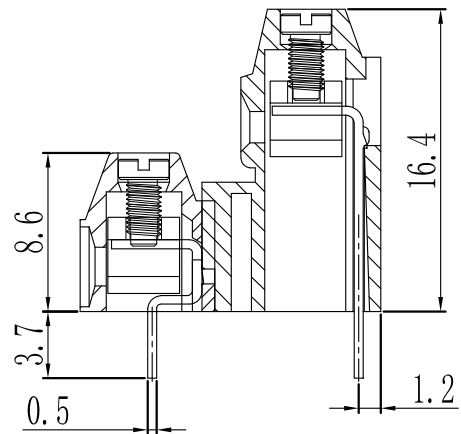
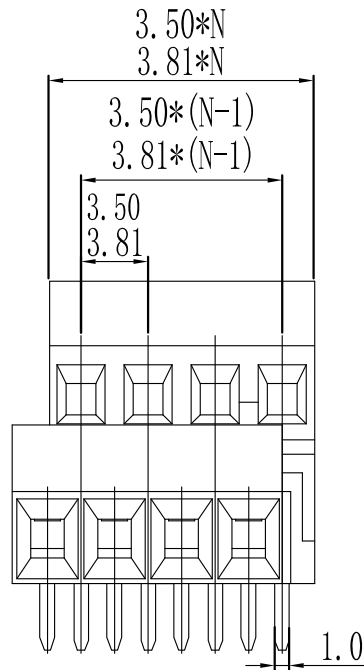


仅供参考

REV.	REVISION RECORD	DATE
A0	新图面发行	2017. 06. 16



产品型号	MODEL	ST124DGB
材质&电镀	MATERIAL&PLATING	
螺丝	Screw	M2.0, 钢, 镀锌 steel, Zinc Plated
弹片	Reed	黄铜, 镀镍 Brass, Ni plated
焊针	Pin header	黄铜, 镀锡 Brass, Tin plated
塑件	Housing	PA66, UL94V-0
电气性能	ELECTRICAL	UL IEC
额定电压	Rated voltage	150V 130V
额定电流	Rated current	10A 10A
接触电阻	Contact resistance	20mΩ
绝缘电阻	Insulation resistance	500MΩ/1000V
耐电压	Withstanding voltage	AC1500V/1min
使用线径	Wire range	26-16AWG 1.5mm <sup>2</sup>
机械性能	MECHANICAL	
温度范围	Temp. range	-40°C ~ +105°C
瞬时温度	Max. soldering	+250°C, 5sec
扭矩	Torque	0. 2N. m 1. 7Lb. in
剥线长度	Strip length	6-7mm



N=Number of Contacts

	GENERAL TOLERANCES		SCALE: 1:1	NAME	DATE	深圳市思拓展电子有限公司 SHENZHEN SENOTOP ELECTRONICS CO., LTD 公司网址: www.szsituo.cn 公司电话: 0755-23765350 邮 箱: 2850175982@qq.com 公司传真: 0755-23765341	PART. NO: ST-TB-0038
	LINEAR	ANGLES	APPROVED				DWG. NO:
	0.0±0.30	X° REF±6°	DESIGNER			TITLE: Pitch 3.50/3.81/3.96mm Euro Terminal Blocks	REV: A0 SHEET: 1/1
UNIT: MM	0.00±0.20	X° ±3°	DRAWN	肖坤权	2017.06.16		
SIZE: A4	0.000±0.10	X° X'±2°					