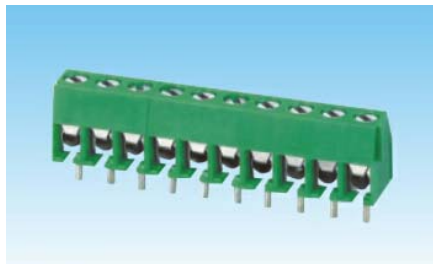
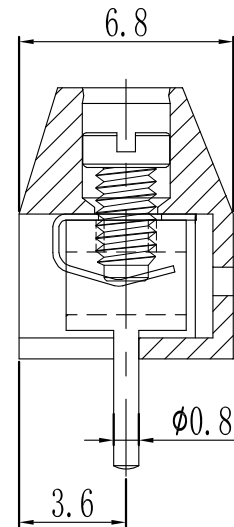
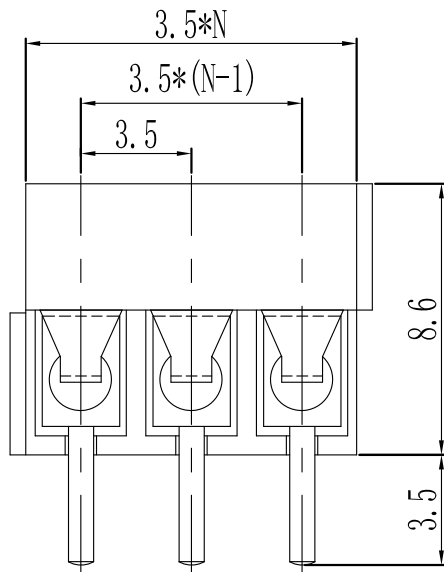


仅供参考

REV.	REVISION RECORD	DATE
A0	新图面发行	2017.06.16



产品型号	MODEL	ST350V	
材质&电镀	MATERIAL&PLATING		
螺丝	Screw	M2.0, 钢, 镀锌 steel, Zinc Plated	
弹片	Reed	磷青铜镀镍或不锈钢 Phosphor Bronze, Ni plated or stainless steel	
焊针	Pin header	黄铜, 镀锡 Brass, Tin plated	
塑件	Housing	PA66, UL94V-0	
电气性能	ELECTRICAL	UL	IEC
额定电压	Rated voltage	300V	130V
额定电流	Rated current	16A	10A
接触电阻	Contact resistance	20mΩ	
绝缘电阻	Insulation resistance	500MΩ/1000V	
耐电压	Withstanding voltage	AC1250V/1min	
使用线径	Wire range	24-18AWG 1.0mm ²	
机械性能	MECHANICAL		
温度范围	Temp. range	-40°C ~ +105°C	
瞬时温度	Max. soldering	+250°C, 5sec	
扭矩	Torque	0.2N.m 1.7Lb.in	
剥线长度	Strip length	5-6mm	



N=Number of Contacts

	GENERAL TOLERANCES		SCALE: 1:1	NAME	DATE	深圳市思拓展电子有限公司 SHENZHEN SINTOP ELECTRONICS CO., LTD 公司网址: www.szsituo.cn 公司电话: 0755-23765350 邮 箱: 2850175982@qq.com 公司传真: 0755-23765341	PART. NO: ST-TB-0016	
	LINEAR	ANGLES					APPROVED	DWG. NO:
	0.0 ± 0.30	X° REF ± 6°	DESIGNER	TITLE: Pitch 3.50mm Euro Terminal Blocks		REV: A0	SHEET: 1/1	
UNIT: MM	0.00 ± 0.20	X° ± 3°	DRAWN	肖坤权	2017.06.16			
SIZE: A4	0.000 ± 0.10	X° X' ± 2°						