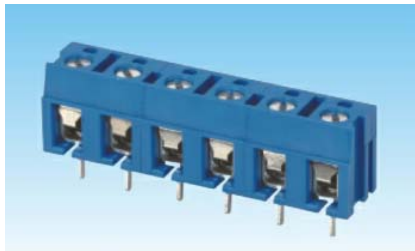
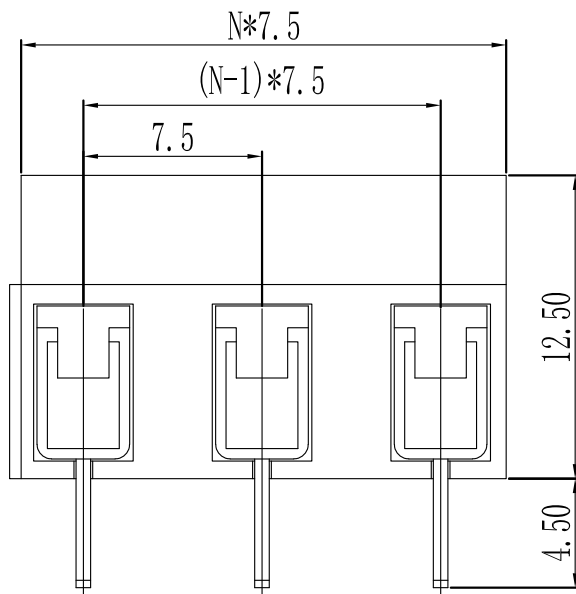


仅供参考

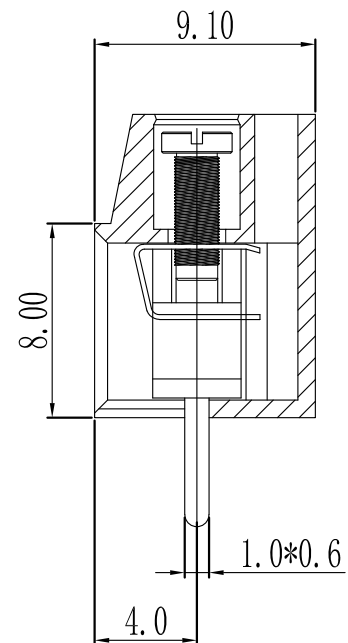
REV.	REVISION RECORD	DATE
A0	新图面发行	2017. 06. 16



产品型号	MODEL	ST705A
材质&电镀	MATERIAL&PLATING	
螺丝	Screw	M2.5, 钢, 镀锌 steel, Zinc Plated
弹片	Reed	磷青铜镀镍或不锈钢 Phosphor Bronze, Ni plated or stainless steel
焊针	Pin header	黄铜, 镀锡 Brass, Tin plated
塑件	Housing	PBT, UL94V-0
电气性能	ELECTRICAL	UL IEC
额定电压	Rated voltage	300V 450V
额定电流	Rated current	12A 20A
接触电阻	Contact resistance	20mΩ
绝缘电阻	Insulation resistance	500MΩ/1000V
耐压	Withstanding voltage	AC2500V/1min
使用线径	Wire range	22-14AWG 2.5mm ²
机械性能	MECHANICAL	
温度范围	Temp. range	-30℃~+120℃
瞬时温度	Max. soldering	+250℃, 5sec
扭矩	Torque	0.4N.m 3.5Lb. in
剥线长度	Strip length	4.5-5mm



N=Number of Contacts



	GENERAL TOLERANCES		SCALE: 1:1	NAME	DATE	深圳市思拓展电子有限公司 SHENZHEN SINOTOP ELECTRONICS CO., LTD 公司网址: www.szsituo.cn 公司电话: 0755-23765350 邮 箱: 2850175982@qq.com 公司传真: 0755-23765341	PART. NO: ST-TB-0004	
	LINEAR	ANGLES					APPROVED	
	0.0±0.30	X° REF±6°	DESIGNER			TITLE:	Pitch 7.50mm	
UNIT: MM	0.00±0.20	X° ±3°	DRAWN	肖坤权	2017. 06. 16	Euro Terminal Blocks		REV: A0
SIZE: A4	0.000±0.10	X° X'±2°						SHEET: 1/1