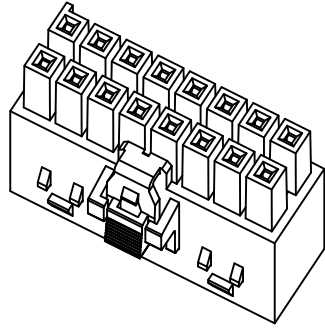


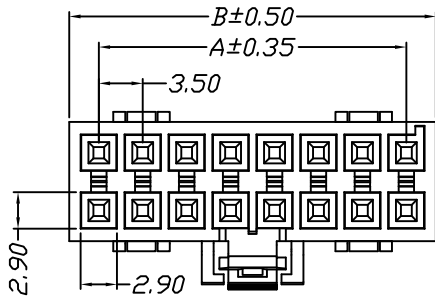
仅供参考

REV.	REVISION RECORD	DATE
A0	新图面发行	2017.06.16

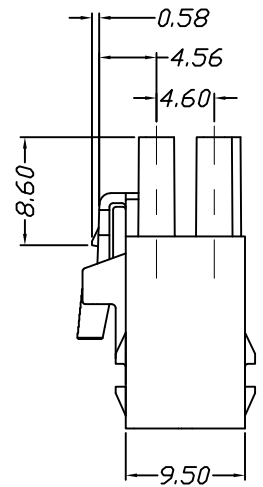
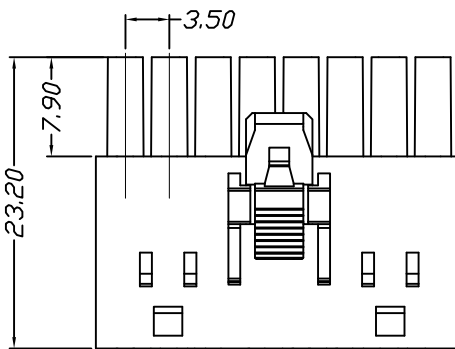
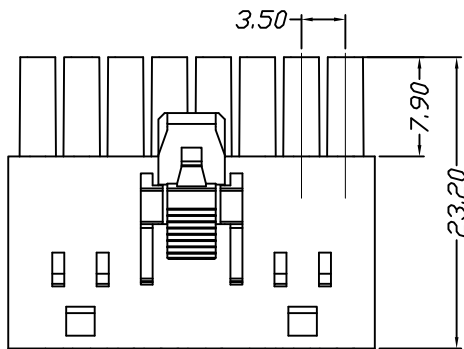
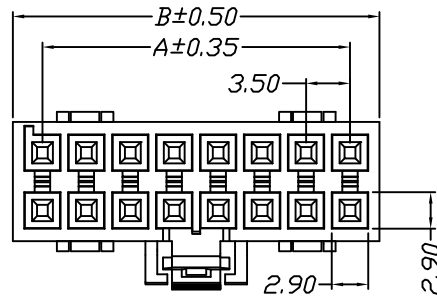


Specifications:
 Voltage Rating : 250V AC/DC
 Current Rating : 7A AC,DC
 Withstand Voltage : 1500V AC/minute
 Contact Resistance : 40mΩ(MAX.)
 Insulation Resistance : 1000MΩ(MIN.)
 Temperature Range : -40°C~+120°C

STP43501H00-2XNP*-G1-**



STP43501H01-2XNP*-G1-**



Poles	Dimensions	
	A	B
2*2P	3.50	8.20
2*3P	7.00	11.70
2*4P	10.50	15.20
2*5P	14.00	18.70
2*6P	17.50	22.20
2*7P	21.00	25.70
2*8P	24.50	29.20

Material	Color
PA6T UL94V-0	BLACK

	GENERAL TOLERANCES		SCALE: 1:1	NAME	DATE	深圳市思拓展电子有限公司 SHENZHEN SINOTOP ELECTRONICS CO., LTD 公司网址: www.szstuo.cn 公司电话: 0755-23765350 邮箱: 2850175982@qq.com 公司传真: 0755-23765341	PART. NO: STP43501H0X-2XNPX-G1-XX
	LINEAR	ANGLES					
UNIT: MM	0.00±0.25	X° REF±6°	DESIGNER	TITLE:	3.50mm PITCH Housing	REV: A0	SHEET: 1/1
SIZE: A4	0.000±0.15	X° X'±2°	DRAWN	肖坤权	2017.06.16		