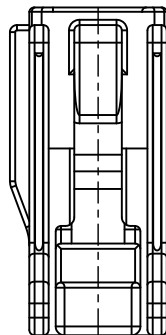
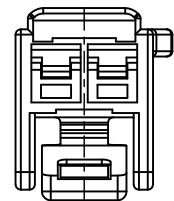
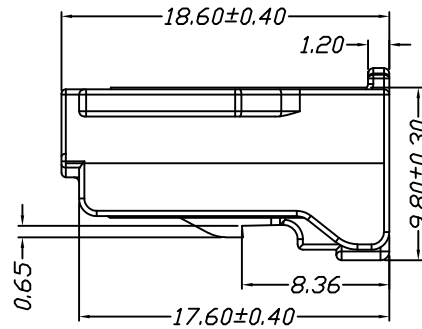
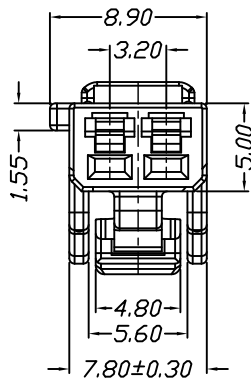
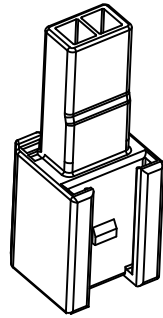


仅供参考

REV.	REVISION RECORD	DATE
A0	新图面发行	2017.06.16

Specifications:

Voltage Rating : 250V AC/DC  
 Current Rating : 9.5A AC,DC  
 Withstand Voltage : 1500V AC/minute  
 Contact Resistance : 40mΩ(MAX.)  
 Insulation Resistance : 1000MΩ(MIN.)  
 Temperature Range : -40°C~+85°C



Material	Color
PBT UL94V-0	BLACK

	GENERAL TOLERANCES		SCALE: 1:1	NAME	DATE	深圳市思拓展电子有限公司 SHENZHEN SINOTOP ELECTRONICS CO., LTD 公司网址: www.szstuo.cn 公司电话: 0755-23765350 邮箱: 2850175982@qq.com 公司传真: 0755-23765341	PART. NO: STP43201H00-2P-PT	
	LINEAR	ANGLES					APPROVED	DWG. NO:
UNIT: MM	0.0±0.35	X° REF±6°	DESIGNER	TITLE: 3.20mm PITCH Housing		REV: A0	SHEET: 1/1	
SIZE: A4	0.000±0.25	X° ±3°	DRAWN	肖坤权	2017.06.16			
	0.000±0.15	X° X'±2°						