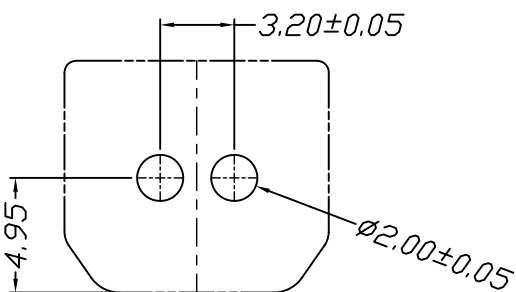
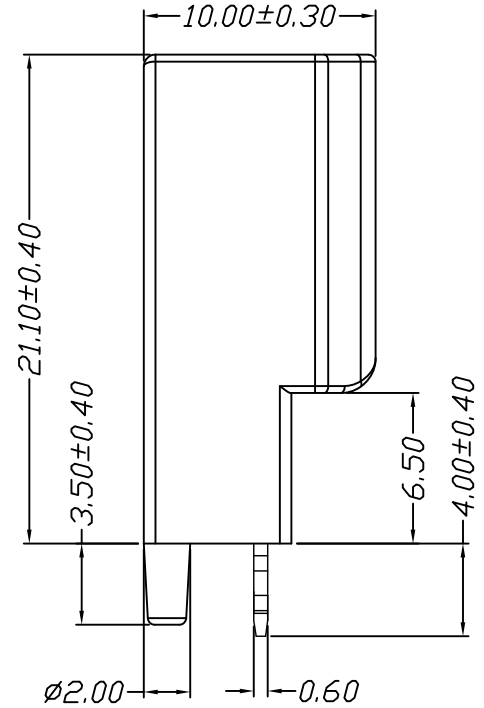
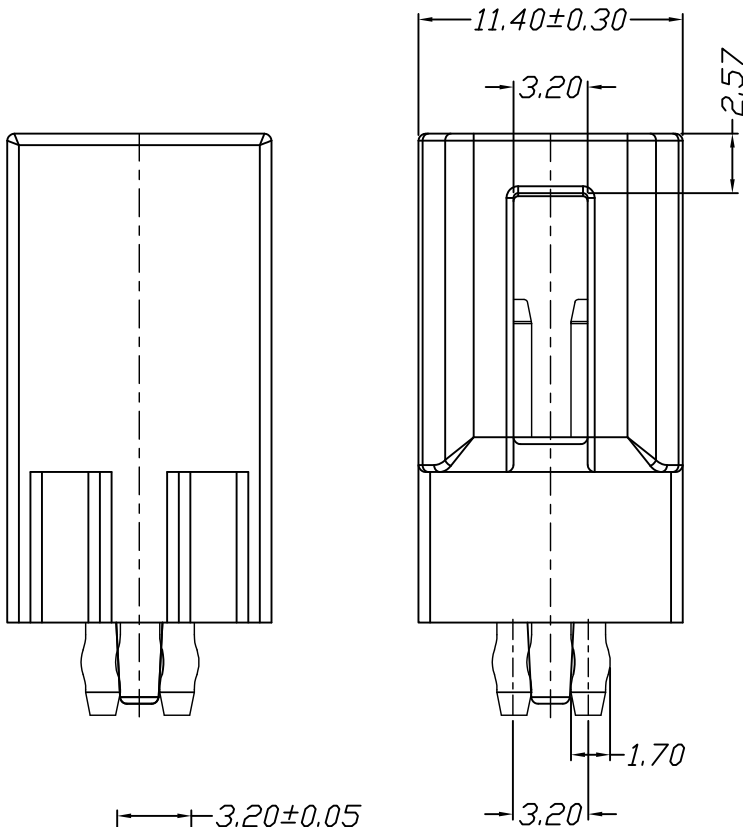
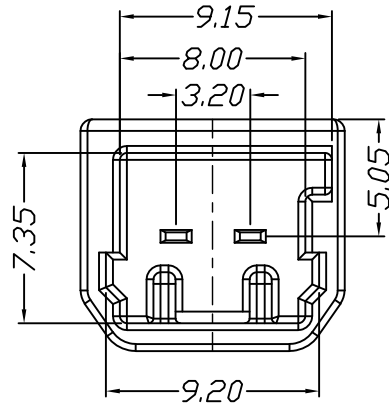
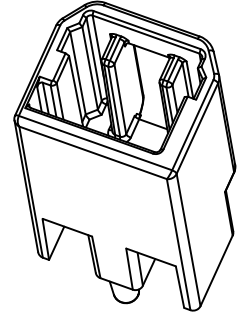


仅供参考

REV.	REVISION RECORD	DATE
A0	新图面发行	2017.06.16

Specifications:
 Voltage Rating : 250V AC/DC
 Current Rating : 9.5A AC,DC
 Withstand Voltage : 1500V AC/minute
 Contact Resistance : 40mΩ(MAX.)
 Insulation Resistance : 1000MΩ(MIN.)
 Temperature Range : -40°C~+85°C



P.C.B. LAYOUT

Material	Color	PIN Material
PA6T	Black	Brass/Tin-plated

	GENERAL TOLERANCES		SCALE: 1:1	NAME	DATE	深圳市思拓展电子有限公司 SHENZHEN SINOTOP ELECTRONICS CO., LTD 公司网址: www.szstuo.cn 公司电话: 0755-23765350 邮箱: 2850175982@qq.com 公司传真: 0755-23765341	PART. NO: STP43201W00-2P-A1-01	
	LINEAR	ANGLES	APPROVED				DWG. NO:	
UNIT: MM	0.0±0.35	X° REF±6°	DESIGNER			TITLE:	REV: A0	SHEET: 1/1
SIZE: A4	0.00±0.25	X° ±3°	DRAWN	肖坤权	2017.06.16	3.20mm Pitch 180° Single Wafer DIP Type		
	0.00±0.15	X° X'±2°						