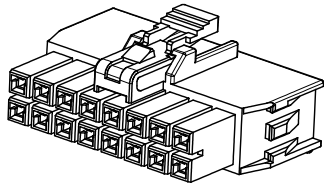
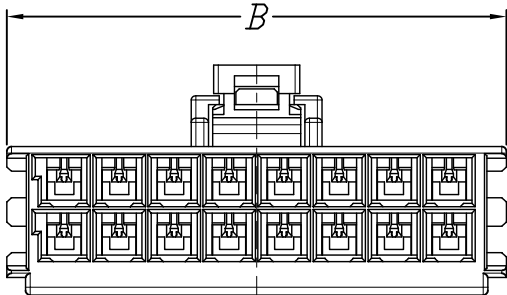
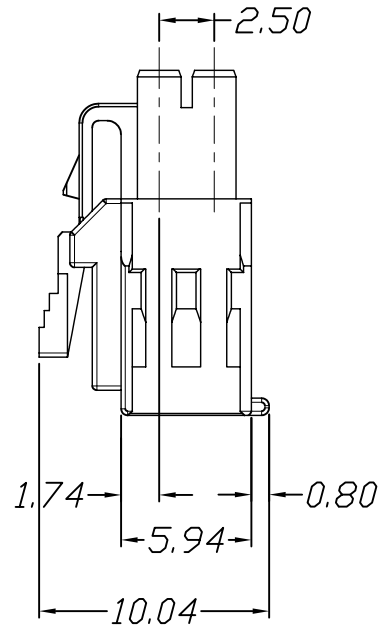
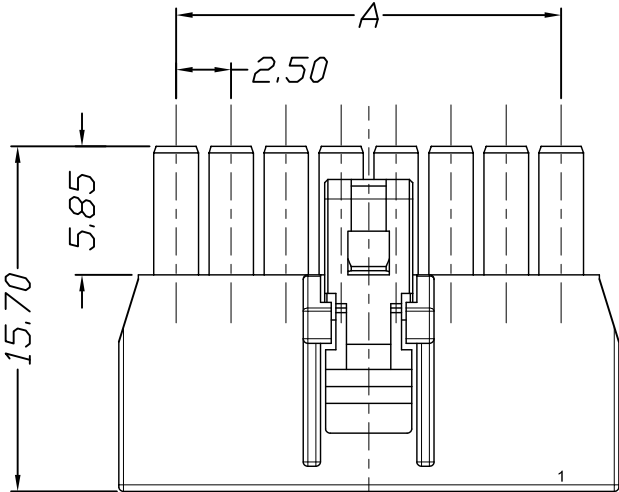
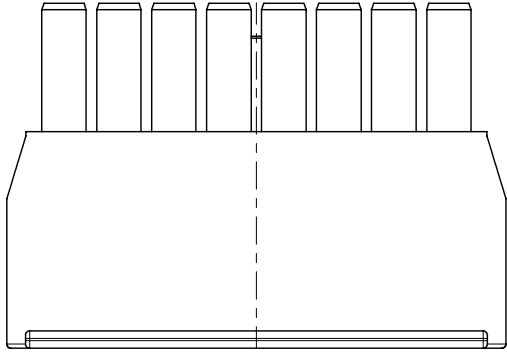


仅供参考

REV.	REVISION RECORD	DATE
A0	新图面发行	2017.06.16



Specifications:
 Voltage Rating : 250V AC/DC
 Current Rating : 3A AC,DC
 Withstand Voltage : 1500V AC/minute
 Contact Resistance : 40mΩ(MAX.)
 Insulation Resistance : 1000MΩ(MIN.)
 Temperature Range : -40°C~+105°C



Poles	Dimensions	
	A	B
2*2P	2.50	7.70
2*3P	5.00	10.20
2*4P	7.50	12.70
2*5P	10.00	15.20
2*6P	12.50	17.70
2*7P	15.00	20.20
2*8P	17.50	22.70

Material	Color
PBT UL94V-0	BLACK

	GENERAL TOLERANCES		SCALE: 1:1	NAME	DATE
	LINEAR	ANGLES	APPROVED		
	0.0±0.35	X° REF±6°	DESIGNER		
	UNIT: MM	0.00±0.25	X° ±3°	DRAWN	肖坤权
SIZE: A4	0.000±0.15	X° X'±2°			

深圳市思拓展电子有限公司
 SHENZHEN SINOTOP ELECTRONICS CO., LTD
 公司网址: www.szsituo.cn 公司电话: 0755-23765350
 邮 箱: 2850175982@qq.com 公司传真: 0755-23765341

TITLE:
2.50mm PITCH Housing

PART. NO:	STP42508H00-2XNPX-X-PT	
DWG. NO:		
REV:	A0	SHEET: 1/1