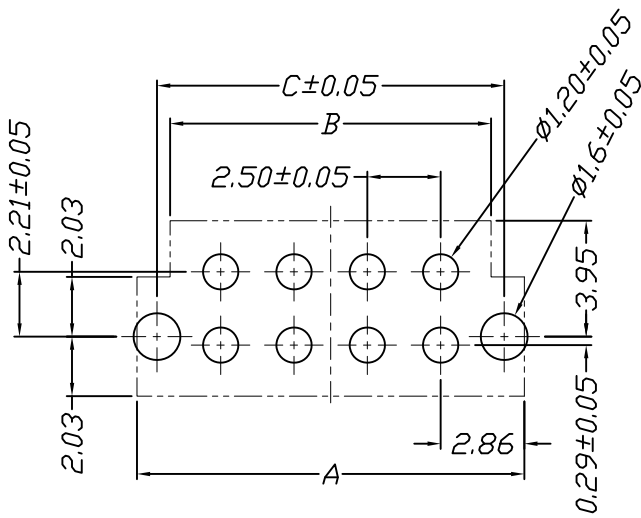
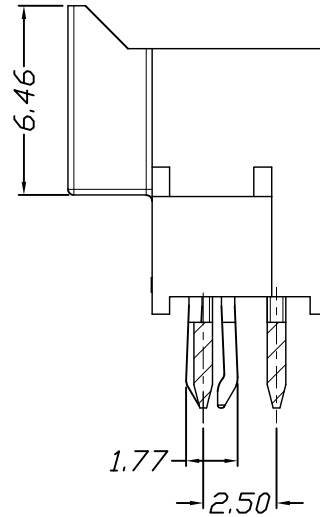
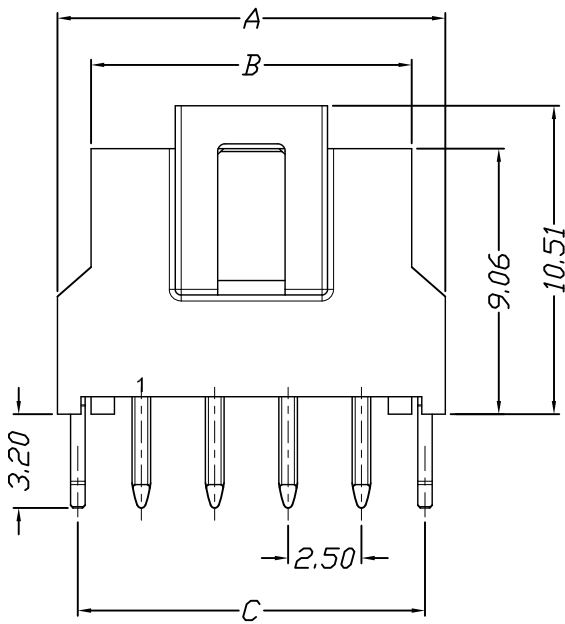
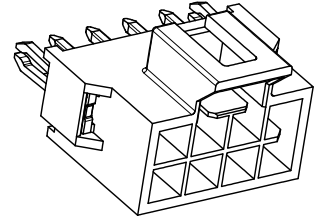
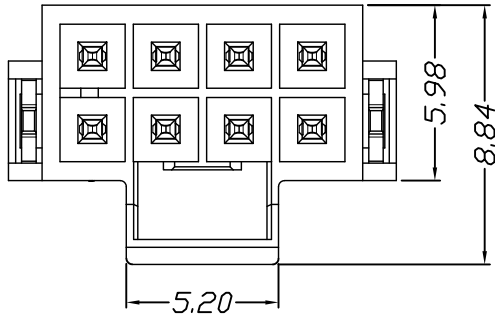


仅供参考

REV.	REVISION RECORD	DATE
A0	新图面发行	2017.06.16

Specifications:  
 Voltage Rating : 250V AC/DC  
 Current Rating : 3A AC,DC  
 Withstand Voltage : 1500V AC/minute  
 Contact Resistance : 40mΩ(MAX.)  
 Insulation Resistance : 1000MΩ(MIN.)  
 Temperature Range : -40°C~+105°C



P.C.B. LAYOUT

Poles	Dimensions		
	A	B	C
2*2P	8.22	5.94	6.84
2*3P	10.72	8.44	9.34
2*4P	13.22	10.94	11.84
2*5P	15.72	13.44	14.34
2*6P	18.22	15.94	16.84
2*7P	20.72	18.44	19.34
2*8P	23.22	20.94	21.84

Material	Color	PIN Material
LCP	Black	Brass

	GENERAL TOLERANCES		SCALE: 1:1	NAME	DATE
	LINEAR	ANGLES			
	0.0±0.35	X° REF±6°	APPROVED		
UNIT: MM	0.00±0.25	X° ±3°	DESIGNER		
SIZE: A4	0.000±0.15	X° X'±2°	DRAWN	肖坤权	2017.06.16

深圳市思拓展电子有限公司  
 SHENZHEN SINOTOP ELECTRONICS CO., LTD  
 公司网址: www.szsituo.cn 公司电话: 0755-23765350  
 邮箱: 2850175982@qq.com 公司传真: 0755-23765341

PART. NO:	STP42508W00-2XNPX-B2-XX
DWG. NO:	
REV:	A0
SHEET:	1/1

TITLE:  
2.50mm Pitch 180° Wafer DIP Type