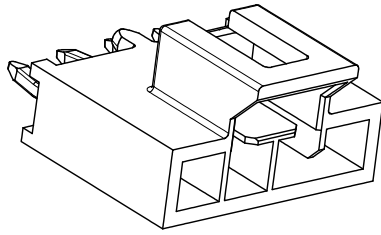


仅供参考

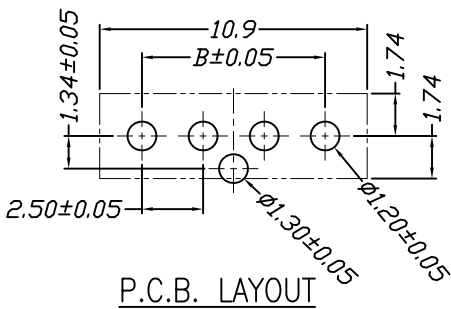
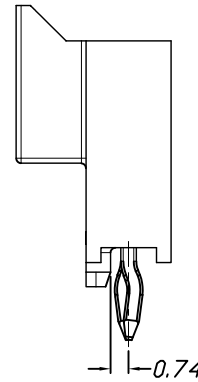
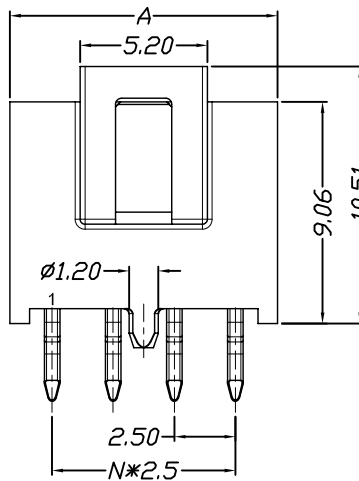
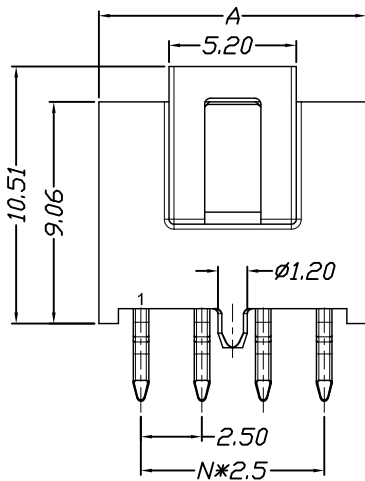
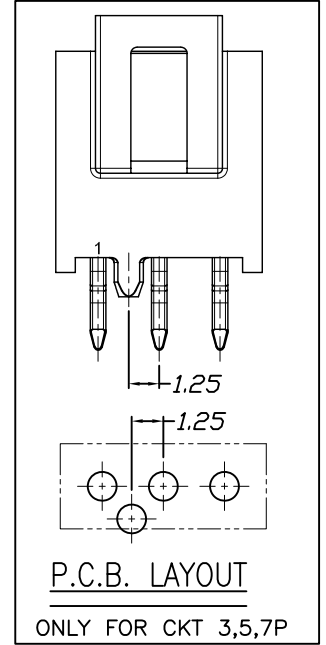
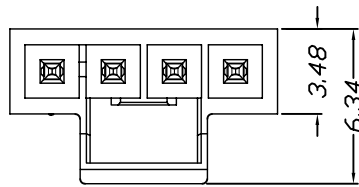
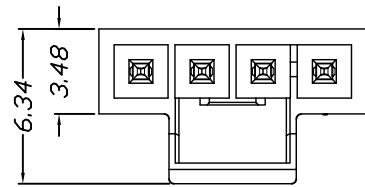
REV.	REVISION RECORD	DATE
A0	新图面发行	2017.06.16

Specifications:
 Voltage Rating : 250V AC/DC
 Current Rating : 3A AC,DC
 Withstand Voltage : 1500V AC/minute
 Contact Resistance : 40mΩ(MAX.)
 Insulation Resistance : 1000MΩ(MIN.)
 Temperature Range : -40°C~+105°C



STP42508W00-NP*-A1-**-**

STP42508W01-NP*-A1-**-**



Poles	Dimensions	
	A	B
2P	5.94	2.50
3P	8.44	5.00
4P	10.94	7.50
5P	13.44	10.00
6P	15.94	12.50
7P	18.44	15.00
8P	20.94	17.50

P.C.B. LAYOUT

Material	Color	PIN Material
LCP	Black	Brass

	GENERAL TOLERANCES		SCALE: 1:1	NAME	DATE	深圳市思拓展电子有限公司 SHENZHEN SINOTOP ELECTRONICS CO., LTD 公司网址: www.szstuo.cn 公司电话: 0755-23765350 邮箱: 2850175982@qq.com 公司传真: 0755-23765341	PART NO:
	LINEAR	ANGLES	APPROVED				STP42508W0X-NPX-A1-XX
	0.0±0.35	X° REF±6°	DESIGNER				DWG. NO:
	UNIT: MM	0.00±0.25	X° ±3°	DRAWN	肖坤权		2017.06.16
SIZE: A4	0.000±0.15	X° X'±2°				TITLE:	SHEET: 1/1
						2.50mm Pitch 180° Wafer DIP Type	