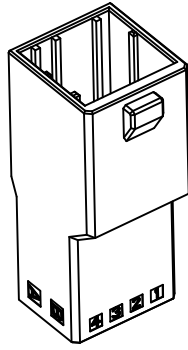
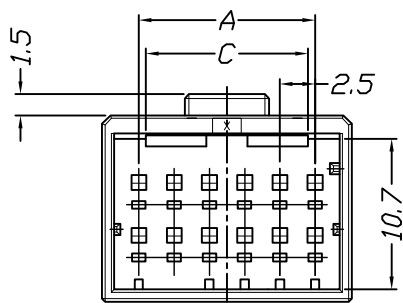
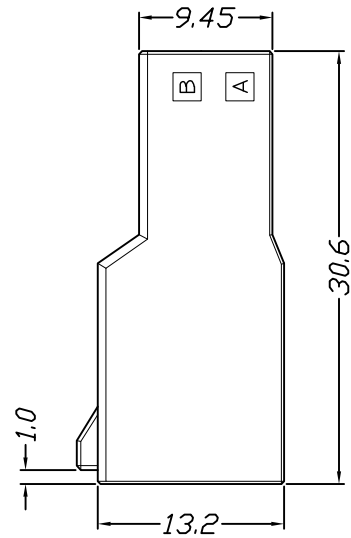
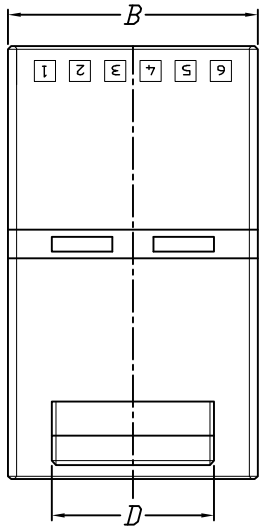
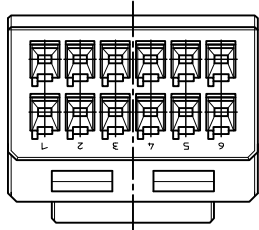


仅供参考

REV.	REVISION RECORD	DATE
A0	新图面发行	2017.06.16



Specifications:
 Voltage Rating : 250V AC/DC
 Current Rating : 5A AC,DC
 Withstand Voltage : 1500V AC/minute
 Contact Resistance : 40mΩ(MAX.)
 Insulation Resistance : 1000MΩ(MIN.)
 Temperature Range : -55°C~+105°C



Poles	Dimensions			
	A	B	C	D
2*10P	22.5	27.7	11.5	11.5
2*6P	12.5	17.7	11.5	11.5
2*4P	7.5	12.7	4.0	4.0
2*3P	5.0	10.2	4.0	4.0

Material	Color
PBT UL94V-0	BLACK

	GENERAL TOLERANCES		SCALE: 1:1	NAME	DATE	深圳市思拓展电子有限公司 SHENZHEN SINOTOP ELECTRONICS CO., LTD 公司网址: www.szstuo.cn 公司电话: 0755-23765350 电子邮箱: 2850175982@qq.com 公司传真: 0755-23765341	PART. NO: STP42501H00-2XNPA-3-PT
	LINEAR	ANGLES					
UNIT: MM	0.0±0.35	X° REF±6°	DESIGNER			TITLE:	DWG. NO:
SIZE: A4	0.000±0.15	X° X'±2°	DRAWN	肖坤权	2017.06.16	2.50mm PITCH Housing	REV: A0 SHEET: 1/1