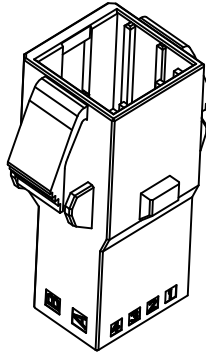
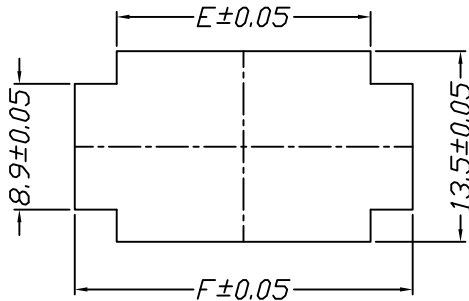
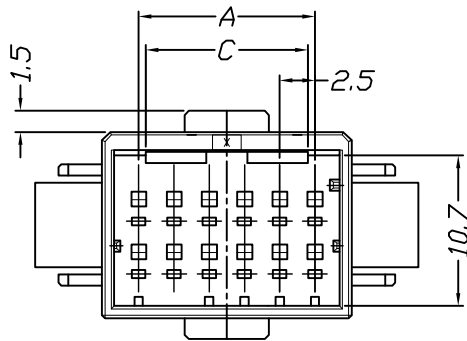
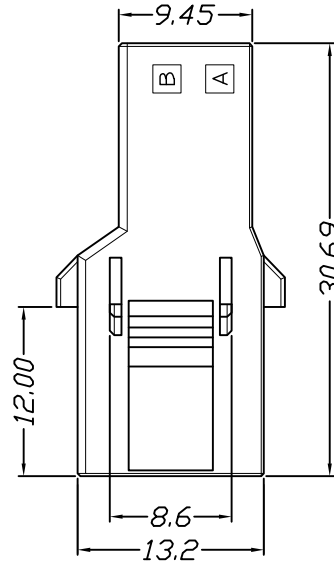
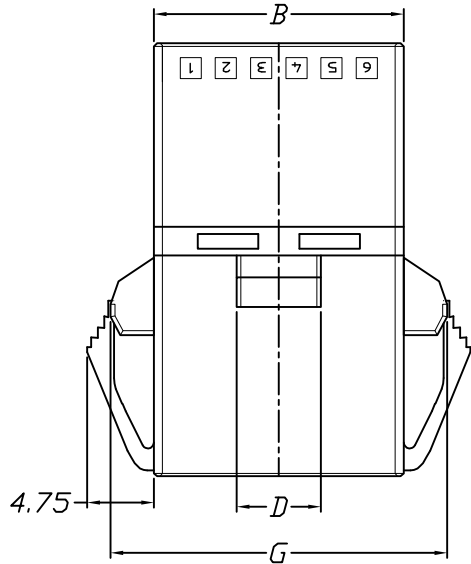


仅供参考

REV.	REVISION RECORD	DATE
A0	新图面发行	2017.06.16



Specifications:  
 Voltage Rating : 250V AC/DC  
 Current Rating : 5A AC,DC  
 Withstand Voltage : 1500V AC/minute  
 Contact Resistance : 40mΩ(MAX.)  
 Insulation Resistance : 1000MΩ(MIN.)  
 Temperature Range : -55°C~+105°C



RECOMMENDED PANEL LAYOUT  
 (APPLICABLE PANEL THICKNESS:  
 0.8-2.0)

Poles	Dimensions						
	A	B	C	D	E	F	G
2*10P	22.5	27.7	11.5	6.0	28.0	34.0	33.88
2*6P	12.5	17.7	11.5	6.0	18.0	24.0	23.88
2*4P	7.5	12.7	4.0	4.0	13.0	19.0	18.88
2*3P	5.0	10.2	4.0	4.0	10.5	16.5	16.38

Material	Color
PBT UL94V-0	BLACK

	GENERAL TOLERANCES		SCALE: 1:1	NAME	DATE	深圳市思拓展电子有限公司 SHENZHEN SINOTOP ELECTRONICS CO., LTD 公司网址: www.szstuo.cn 公司电话: 0755-23765350 电子邮箱: 2850175982@qq.com 公司传真: 0755-23765341	PART. NO: STP42501H00-2XNPA-2-PT
	LINEAR	ANGLES	APPROVED				DWG. NO:
UNIT: MM	0.00±0.25	X° REF±6°	DESIGNER			TITLE: 2.50mm PITCH Housing	REV: A0 SHEET: 1/1
SIZE: A4	0.000±0.15	X° X'±2°	DRAWN	肖坤权	2017.06.16		