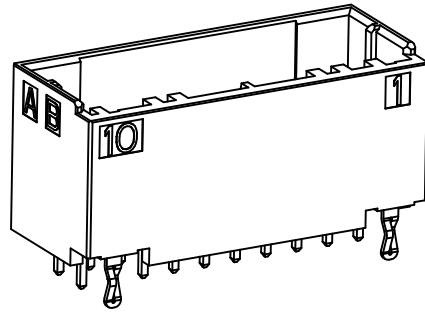
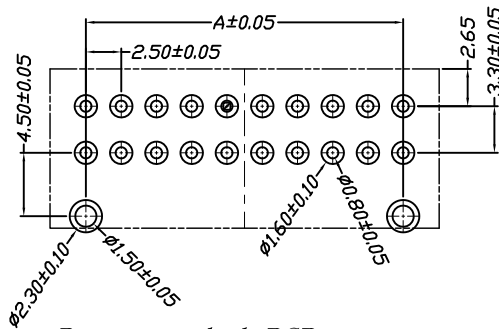
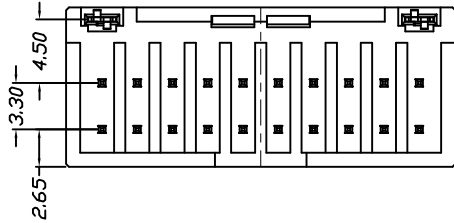
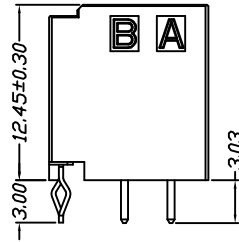
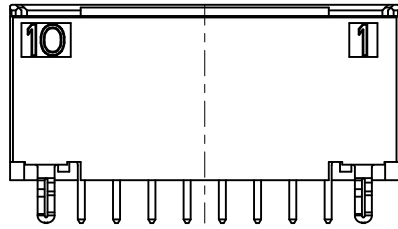
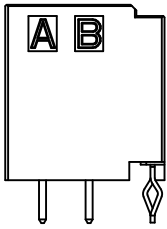
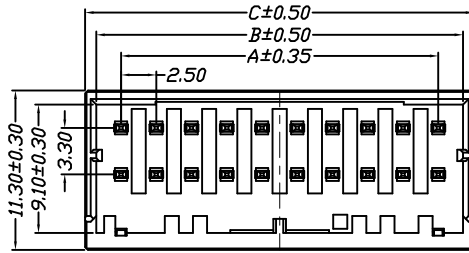


仅供参考

REV.	REVISION RECORD	DATE
A0	新图面发行	2017.06.16



Specifications:  
 Voltage Rating : 250V AC/DC  
 Current Rating : 5A AC,DC  
 Withstand Voltage : 1500V AC/minute  
 Contact Resistance : 40mΩ(MAX.)  
 Insulation Resistance : 1000MΩ(MIN.)  
 Temperature Range : -55°C~+105°C



Recommended PCB pattern

Poles	Dimensions		
	A	B	C
2*2P	2.50	6.00	7.60
2*3P	5.00	8.50	10.10
2*4P	7.50	11.00	12.60
2*5P	10.00	13.50	15.10
2*6P	12.50	16.00	17.60
2*8P	17.50	21.00	22.60
2*10P	22.50	26.00	27.60

Material	Color	PIN Material	Stator Material
PBT	Black	Bronze/Gold&Tin-plated	Brass/Tin-plated

	GENERAL TOLERANCES		SCALE: 1:1	NAME	DATE
	LINEAR	ANGLES			
	0.0±0.35	X° REF±6°	APPROVED		
UNIT: MM	0.00±0.25	X° ±3°	DESIGNER		
SIZE: A4	0.000±0.15	X° X'±2°	DRAWN	肖坤权	2017.06.16

深圳市思拓展电子有限公司  
 SHENZHEN SINOTOP ELECTRONICS CO., LTD  
 公司网址: [www.szsituo.cn](http://www.szsituo.cn) 公司电话: 0755-23765350  
 邮 箱: 2850175982@qq.com 公司传真: 0755-23765341

TITLE:  
2.50mm Pitch 180° Dula Wafer DIP Type

PART. NO:	STP42501W00-2XNPA-A1-XX	
DWG. NO:		
REV:	A0	SHEET: 1/1