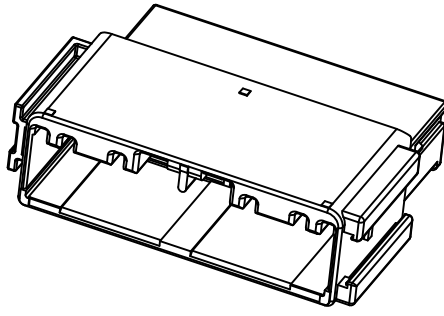
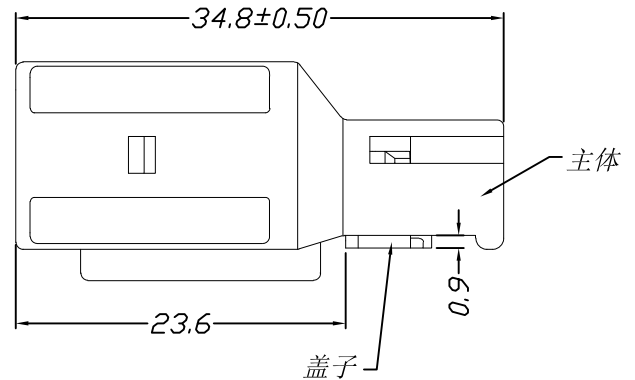
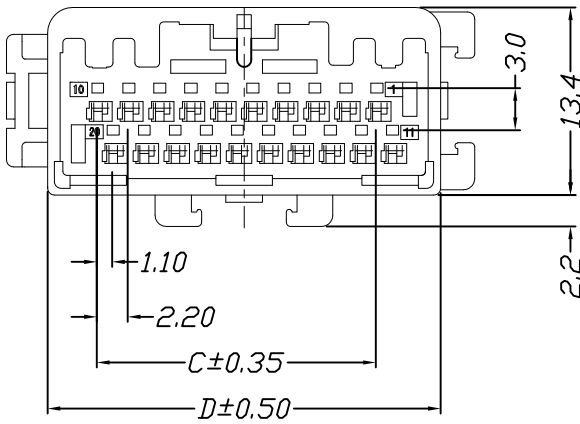
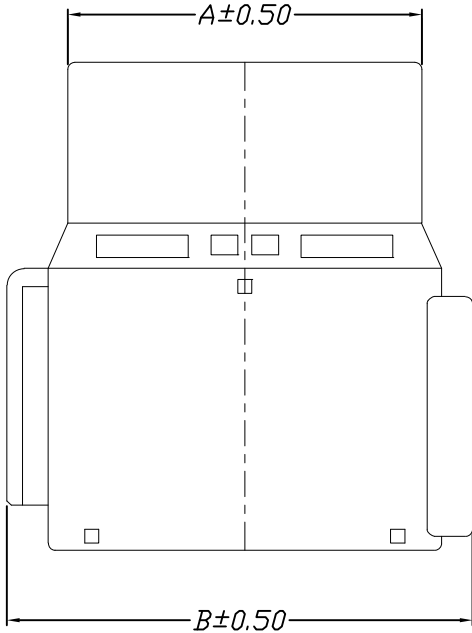


仅供参考

REV.	REVISION RECORD	DATE
A0	新图面发行	2017.06.16



Specifications:  
 Voltage Rating : 250V AC/DC  
 Current Rating : 3A AC,DC  
 Withstand Voltage : 1000V AC/minute  
 Contact Resistance : 30mΩ(MAX.)  
 Insulation Resistance : 1000MΩ(MIN.)  
 Temperature Range : -40°C~+85°C



Part No	Dimensions			
	A	B	C	D
2*6P	16.30	24.20	11.00	19.10
2*8P	20.70	28.60	15.40	23.50
2*10P	25.10	33.00	19.80	27.90
2*12P	29.50	37.40	24.20	32.30
2*14P	33.90	41.80	28.60	36.70
2*16P	38.30	46.20	33.00	41.10
2*18P	42.70	50.60	37.40	45.50
2*20P	47.10	55.00	41.80	49.90

Material	Color
Nylon 66 UL94V-0	Grey

	GENERAL TOLERANCES		SCALE: 1:1	NAME	DATE	深圳市思拓展电子有限公司 SHENZHEN SINOTOP ELECTRONICS CO., LTD 公司网址: www.szstuo.cn 公司电话: 0755-23765350 邮箱: 2850175982@qq.com 公司传真: 0755-23765341	PART. NO: STP32202H00-2XNPX-G2-66
	LINEAR	ANGLES					
UNIT: MM	0.00±0.25	X° ±3°	DESIGNER			TITLE:	DWG. NO:
SIZE: A4	0.000±0.15	X° X' ±2°	DRAWN	肖坤权	2017.06.16	2. 20mm PITCH Housing	REV: A0 SHEET: 1/1