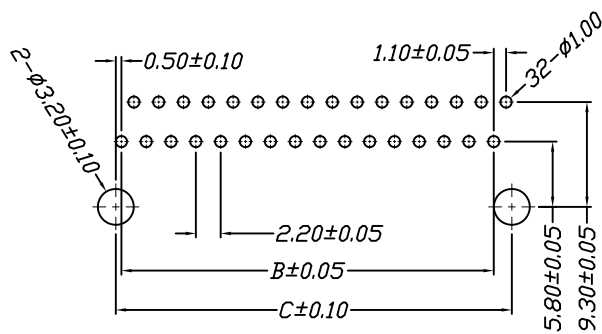
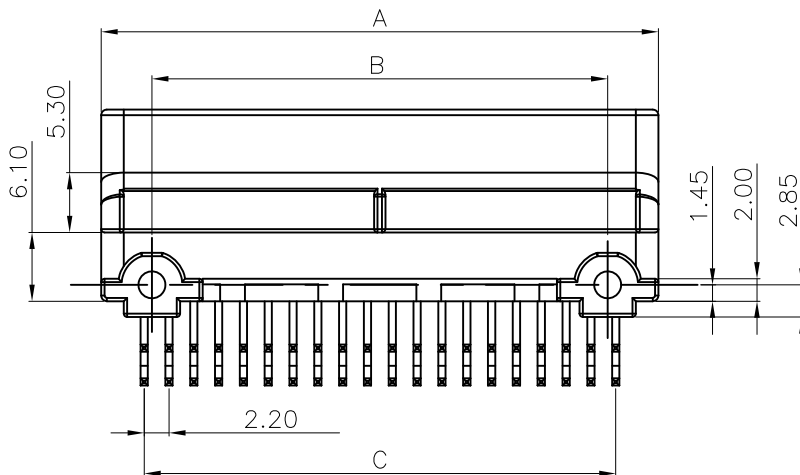
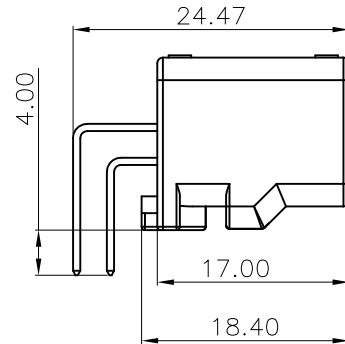
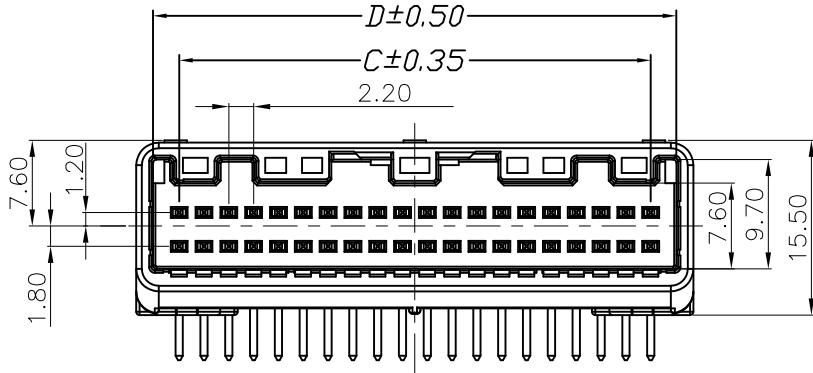


仅供参考

REV.	REVISION RECORD	DATE
A0	新图面发行	2017.06.16

Specifications:
 Voltage Rating : 250V AC/DC
 Current Rating : 3A AC,DC
 Withstand Voltage : 1000V AC/minute
 Contact Resistance : 30mΩ(MAX.)
 Insulation Resistance : 1000MΩ(MIN.)
 Temperature Range : -40°C~+85°C



P.C.B. LAYOUT

Poles	Dimensions			
	A	B	C	D
2*6P	18.60	9.60	11.00	15.60
2*8P	23.00	14.00	15.40	20.00
2*10P	27.40	18.40	19.80	24.40
2*12P	31.80	22.80	24.20	28.80
2*14P	36.20	27.20	28.60	33.20
2*16P	40.60	31.60	33.00	37.60
2*18P	45.00	36.00	37.40	42.00
2*20P	49.40	40.40	41.80	46.40

Material	Color	PIN Material
PBT or Nylon	White	Brass/Tin-plated

	GENERAL TOLERANCES		SCALE: 1:1	NAME	DATE
	LINEAR	ANGLES			
	0.0±0.35	X° REF±6°	APPROVED		
UNIT: MM	0.00±0.25	X° ±3°	DESIGNER		
SIZE: A4	0.000±0.15	X° X'±2°	DRAWN	肖坤权	2017.06.16



深圳市思拓展电子有限公司
 SHENZHEN SINOTOP ELECTRONICS CO., LTD

公司网址: www.szsituo.cn 公司电话: 0755-23765350
 销售热线: 2850175982@qq.com 公司传真: 0755-23765341

TITLE:
 2.20mm Pitch 90° Dula Wafer DIP Type

PART NO:	STP42206W90-2XNPX-A1-XX	
DWG NO:		
REV:	A0	SHEET: 1/1

A B C D E F G H