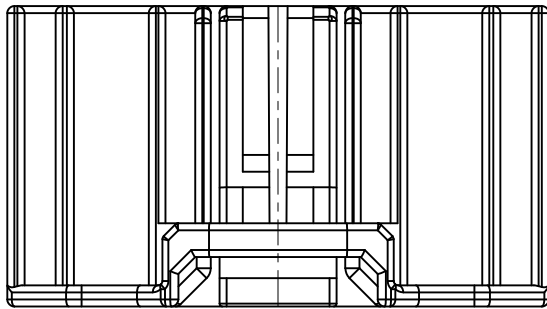
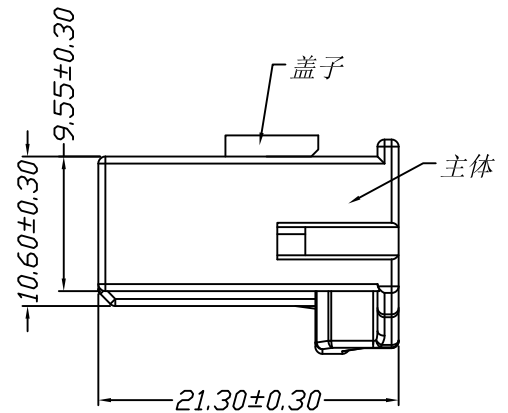
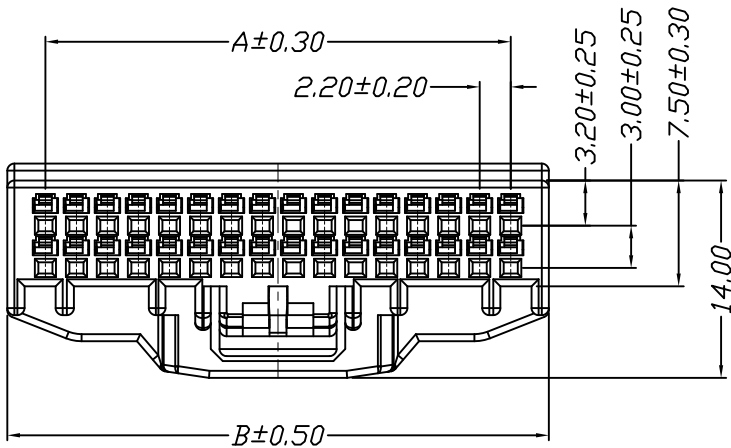
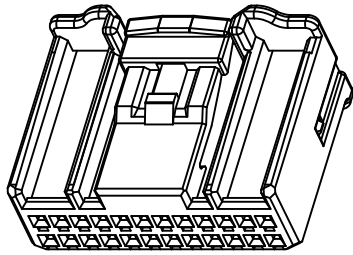


仅供参考

REV.	REVISION RECORD	DATE
A0	新图面发行	2017.06.16

Specifications:
 Voltage Rating : 250V AC/DC
 Current Rating : 3A AC,DC
 Withstand Voltage : 1000V AC/minute
 Contact Resistance : 30mΩ(MAX.)
 Insulation Resistance : 1000MΩ(MIN.)
 Temperature Range : -40°C~+85°C



Poles	Dimensions	
	A	B
2*6P	11.00	16.40
2*8P	15.40	20.80
2*10P	19.80	25.20
2*12P	24.20	29.60
2*14P	28.60	34.00
2*16P	33.00	38.40
2*18P	37.40	42.80
2*20P	41.80	47.20

Material	Color
Nylon 66 UL94V-0	White

	GENERAL TOLERANCES		SCALE: 1:1	NAME	DATE	深圳市思拓展电子有限公司 SHENZHEN SINOTOP ELECTRONICS CO., LTD 公司网址: www.szstuo.cn 公司电话: 0755-23765350 邮 箱: 2850175982@qq.com 公司传真: 0755-23765341	PART. NO: STP42206H00-2XNPX-G2-66
	LINEAR	ANGLES					
UNIT: MM	0.00±0.25	X° REF±6°	DESIGNER	TITLE:	2.20mm PITCH Housing	REV: A0	SHEET: 1/1
SIZE: A4	0.000±0.15	X° X'±2°	DRAWN	肖坤权	2017.06.16		