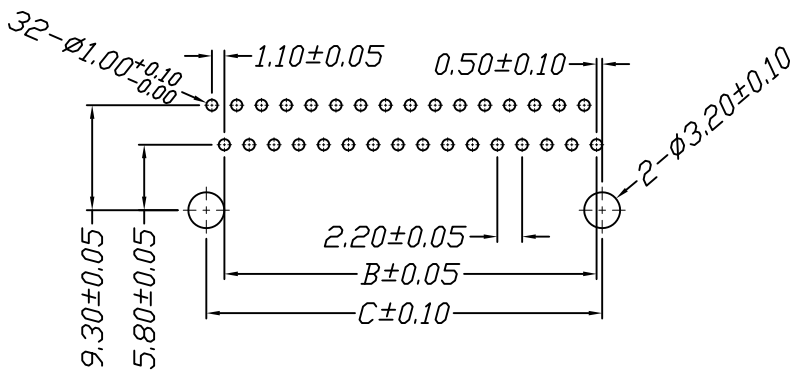
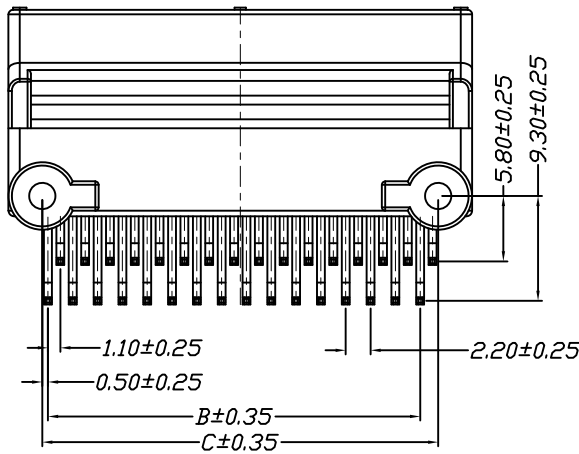
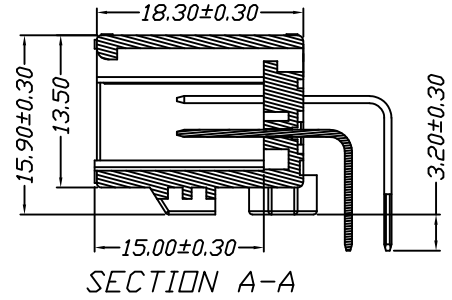
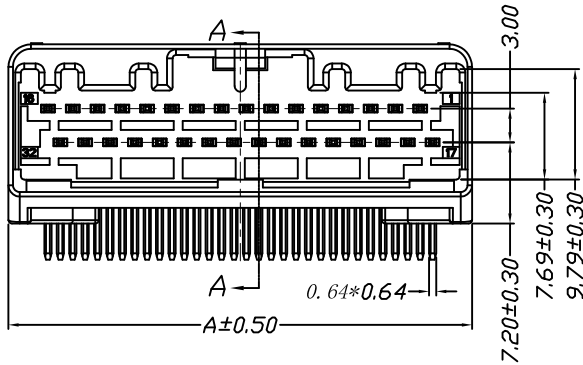
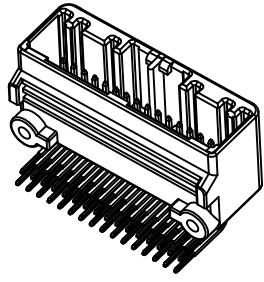


仅供参考

REV.	REVISION RECORD	DATE
A0	新图面发行	2017.06.16

Specifications:
 Voltage Rating : 250V AC/DC
 Current Rating : 3A AC,DC
 Withstand Voltage : 1000V AC/minute
 Contact Resistance : 30mΩ(MAX.)
 Insulation Resistance : 1000MΩ(MIN.)
 Temperature Range : -40°C~+85°C



P.C.B. LAYOUT

Poles	Dimensions		
	A	B	C
2*6P	19.10	11.00	13.10
2*8P	23.50	15.40	17.50
2*10P	27.90	19.80	21.90
2*12P	32.30	24.20	26.30
2*14P	36.70	28.60	30.70
2*16P	41.10	33.00	35.10
2*18P	45.50	37.40	39.50
2*20P	49.90	41.80	43.90

Material	Color	PIN Material
PBT or Nylon	Grey	Brass/Tin-plated

GENERAL TOLERANCES	SCALE:	NAME	DATE
	LINEAR	1:1	
ANGLES	APPROVED		
0.0±0.35	DESIGNER		
X° REF±6°	DRAWN	肖坤权	2017.06.16
UNIT: MM	0.00±0.25	X° ±3°	
SIZE: A4	0.000±0.15	X° X'±2°	

STP 深圳市思拓展电子有限公司
 SHENZHEN SINOTOP ELECTRONICS CO., LTD
 公司网址: www.szsituo.cn 公司电话: 0755-23765350
 邮箱: 2850175982@qq.com 公司传真: 0755-23765341

PART NO:	STP42202W90-2XNPX-A1-XX
DWG NO:	
REV:	A0
SHEET:	1/1

TITLE:
 2.20mm Pitch 90° DuLa Wafer DIP Type