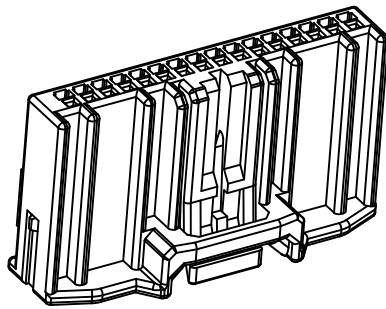
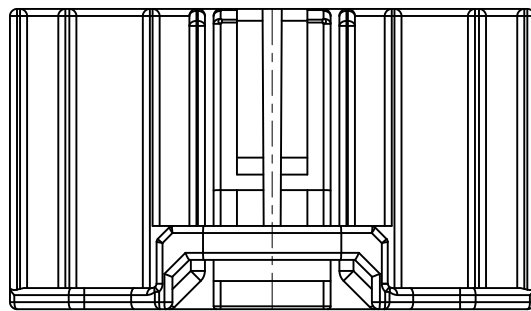
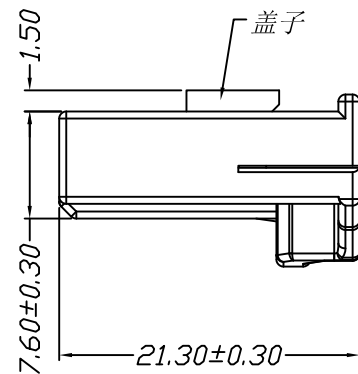
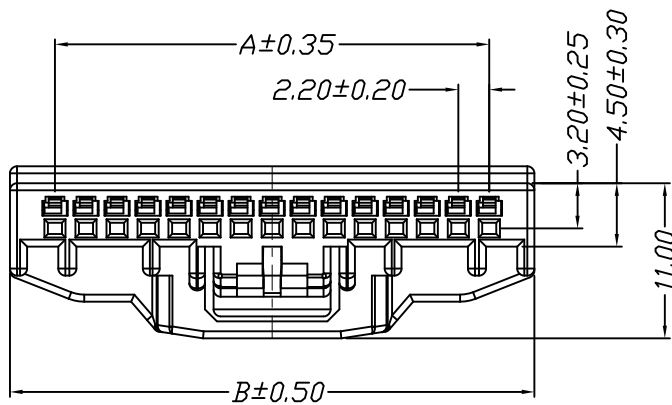


仅供参考

REV.	REVISION RECORD	DATE
A0	新图面发行	2017.06.16



Specifications:  
 Voltage Rating : 250V AC/DC  
 Current Rating : 3A AC,DC  
 Withstand Voltage : 1000V AC/minute  
 Contact Resistance : 30mΩ(MAX.)  
 Insulation Resistance : 1000MΩ(MIN.)  
 Temperature Range : -40°C~+85°C



Poles	Dimensions	
	A	B
3P	4.40	10.80
5P	8.80	15.20
7P	13.20	19.60
9P	17.60	24.00
11P	22.00	28.40
13P	26.40	32.80
15P	30.80	37.20

Material	Color
Nylon 66 UL94V-0	Grey

	GENERAL TOLERANCES		SCALE: 1:1	NAME	DATE	深圳市思拓展电子有限公司 SHENZHEN SINOTOP ELECTRONICS CO., LTD 公司网址: www.szstuo.cn 公司电话: 0755-23765350 邮箱: 2850175982@qq.com 公司传真: 0755-23765341	PART. NO: STP42202H00-NPX-G2-66
	LINEAR	ANGLES					
UNIT: MM	0.0±0.35	X° REF±6°	DESIGNER			TITLE:	DWG. NO:
SIZE: A4	0.00±0.25	X° ±3°	DRAWN	肖坤权	2017.06.16	2.20mm PITCH Housing	REV: A0
	0.00±0.15	X° X'±2°					SHEET: 1/1