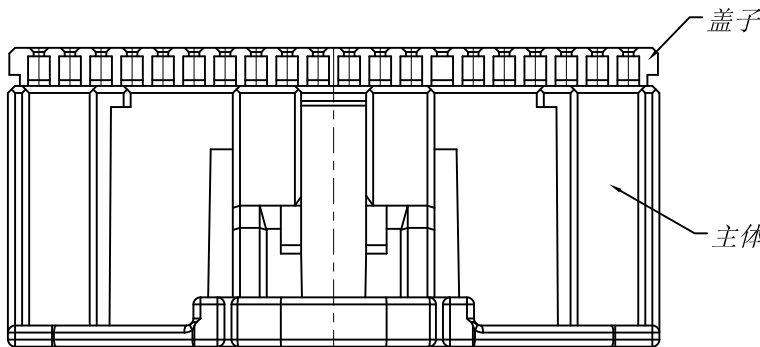
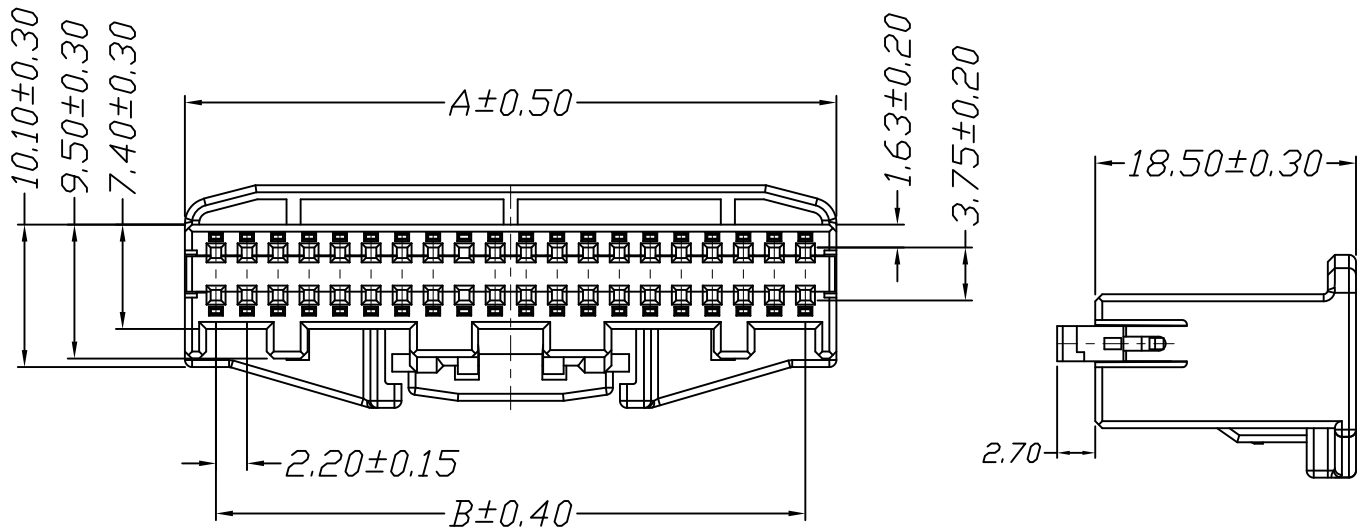
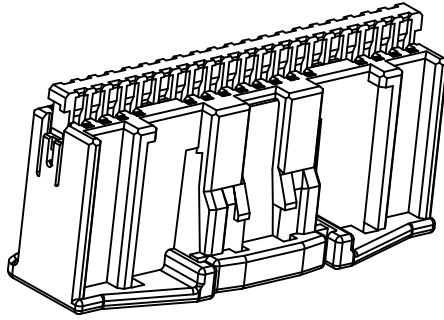


仅供参考

REV.	REVISION RECORD	DATE
A0	新图面发行	2017.06.16

Specifications:
 Voltage Rating : 250V AC/DC
 Current Rating : 3A AC,DC
 Withstand Voltage : 650V AC/minute
 Contact Resistance : 30mΩ(MAX.)
 Insulation Resistance : 1000MΩ(MIN.)
 Temperature Range : -40°C~+85°C



Poles	Dimensions	
	A	B
2*4P	11.00	6.60
2*6P	15.40	11.00
2*8P	19.80	15.40
2*10P	24.20	19.80
2*12P	28.60	24.20
2*14P	33.00	28.60
2*16P	37.40	33.00
2*20P	46.20	41.80

Material	Color
Nylon 66 UL94V-0	BLACK

	GENERAL TOLERANCES		SCALE: 1:1	NAME	DATE	深圳市思拓展电子有限公司 SHENZHEN SINOTOP ELECTRONICS CO., LTD 公司地址: www.szstuo.cn 公司电话: 0755-23765350 邮箱: 2850175982@qq.com 公司传真: 0755-23765341	PART. NO: STP42201H00-2XNPX-G3-66
	LINEAR	ANGLES					
UNIT: MM	0.0 ± 0.35	X° REF ± 6°	DESIGNER			TITLE:	DWG. NO:
SIZE: A4	0.000 ± 0.15	X° X' ± 2°	DRAWN	肖坤权	2017.06.16	2.20mm PITCH Housing	REV: A0 SHEET: 1/1

A B C D E F G H