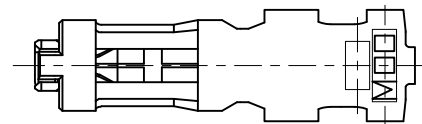
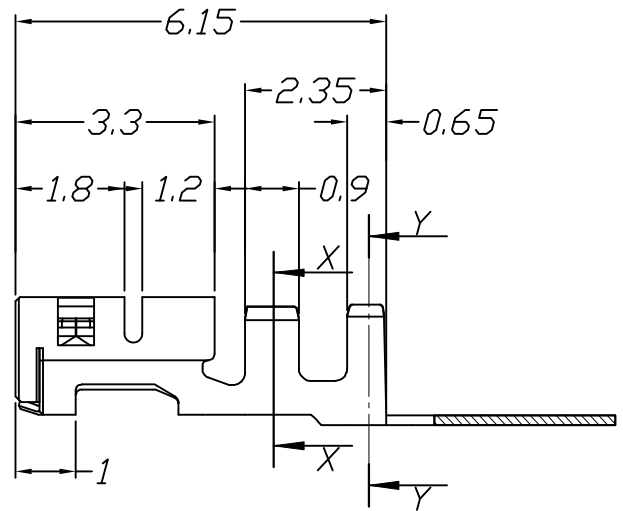
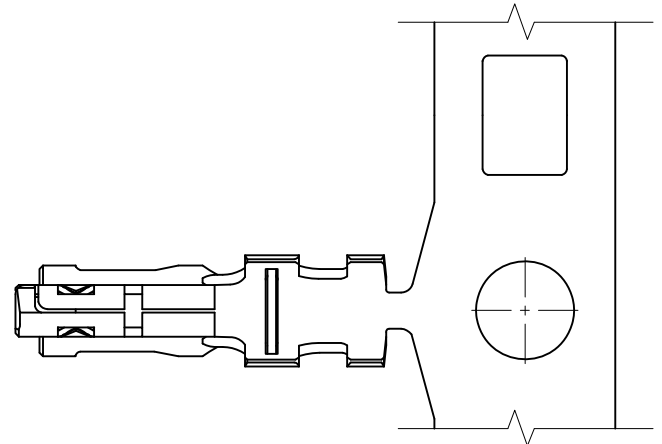
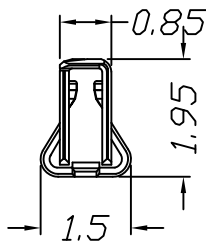
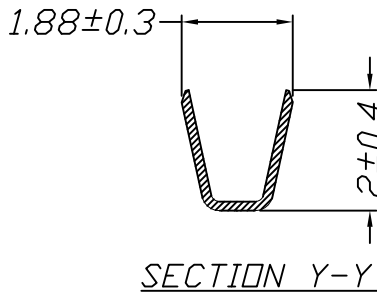
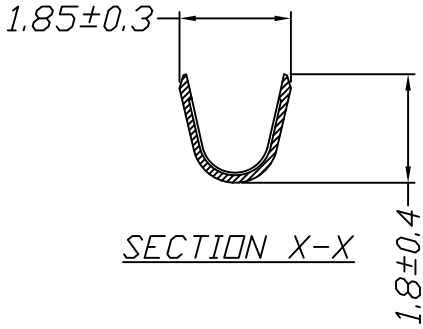


仅供参考

| | | |
|------|-----------------|------------|
| REV. | REVISION RECORD | DATE |
| A0 | 新图面发行 | 2017.06.16 |

Specifications:
 Voltage Rating : 125V AC/DC
 Current Rating : 2A AC,DC
 Withstand Voltage : 600V AC/minute
 Contact Resistance : 40mΩ(MAX.)
 Insulation Resistance : 1000MΩ(MIN.)
 Temperature Range : -40°C~+105°C



| | | | | |
|------------|------------------|-----------------|----------|----------|
| Wire Range | Insulation O. D. | Material | Finish | Qty/Reel |
| AWG#22~#24 | 1.50mm (Max) | Phosphor bronze | Au or Sn | |

| | | | | | | | |
|----------|--------------------|-----------|---------------|------|------------|---|-----------------------------|
| | GENERAL TOLERANCES | | SCALE: 1:1 | NAME | DATE | 深圳市思拓展电子有限公司 SHENZHEN SINOTOP ELECTRONICS CO., LTD 公司网址: www.szstuo.cn 公司电话: 0755-23765350 邮箱: 2850175982@qq.com 公司传真: 0755-23765341 | PART. NO: STP42012T1P-XX |
| | LINEAR | ANGLES | APPROVED | | | | DWG. NO: |
| UNIT: MM | 0.0±0.35 | X° REF±6° | DESIGNER | | | TITLE: 2.00mm PITCH Crimp Terminal | REV: A0 SHEET: 1/1 |
| SIZE: A4 | 0.00±0.15 | X° X'±2° | DRAWN | 肖坤权 | 2017.06.16 | | |