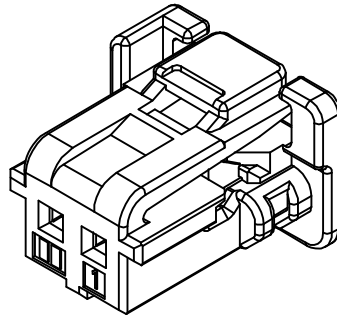
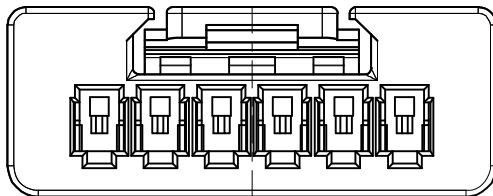
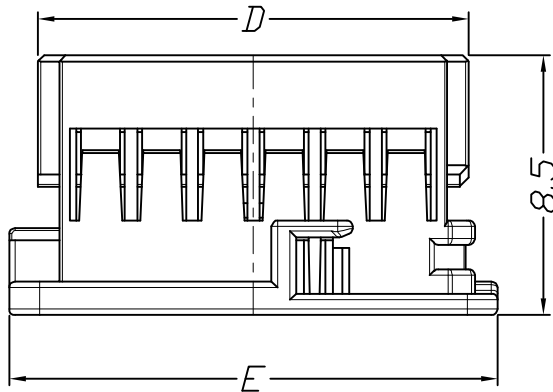
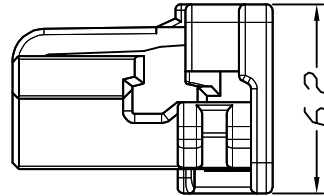
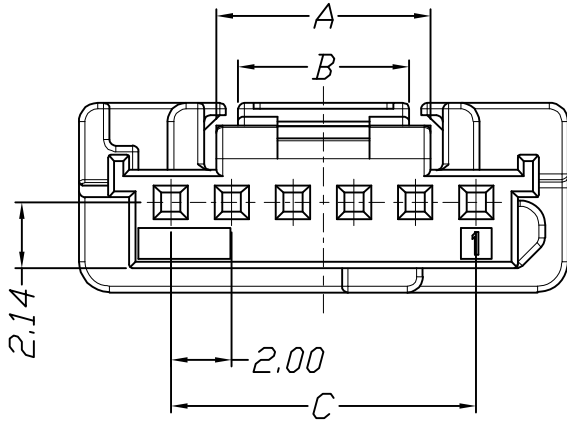


仅供参考

REV.	REVISION RECORD	DATE
A0	新图面发行	2017.06.16



Specifications:
 Voltage Rating : 125V AC/DC
 Current Rating : 2A AC,DC
 Withstand Voltage : 600V AC/minute
 Contact Resistance : 40mΩ(MAX.)
 Insulation Resistance : 1000MΩ(MIN.)
 Temperature Range : -40°C~+105°C



Poles	Dimensions				
	A	B	C	D	E
2P	4.70	3.35	—	6.10	8.00
3P	4.90	3.50	4.00	8.10	10.00
4P	6.90	5.50	6.00	10.10	12.00
5P	7.00	5.50	8.00	12.10	14.00
6P	7.00	5.60	10.00	14.10	16.00
7P	7.00	5.60	12.00	16.10	18.00
8P	7.00	5.60	14.00	18.10	20.00
9P	7.00	5.60	16.00	20.10	22.00
10P	7.00	5.60	18.00	22.10	24.00
11P	7.00	5.60	20.00	24.10	26.00
12P	7.00	5.60	22.00	26.10	28.00
13P	7.00	5.60	24.00	28.10	30.00
14P	7.00	5.60	26.00	30.10	32.00
15P	7.00	5.60	28.00	32.10	34.00

Material	Color
PBT UL94V-0	BLACK

	GENERAL TOLERANCES		SCALE: 1:1	NAME	DATE
	LINEAR	ANGLES			
	0.0±0.35	X° REF±6°	APPROVED		
UNIT: MM	0.00±0.25	X° ±3°	DESIGNER		
SIZE: A4	0.000±0.15	X° X'±2°	DRAWN	肖坤权	2017.06.16

深圳市思拓展电子有限公司
 SHENZHEN SINOTOP ELECTRONICS CO., LTD
 公司网址: www.szsituo.cn 公司电话: 0755-23765350
 邮 箱: 2850175982@qq.com 公司传真: 0755-23765341

PART. NO:	STP42012H00-NPX-PT	
DWG. NO:		
REV:	A0	SHEET: 1/1

TITLE:
2.00mm PITCH Housing