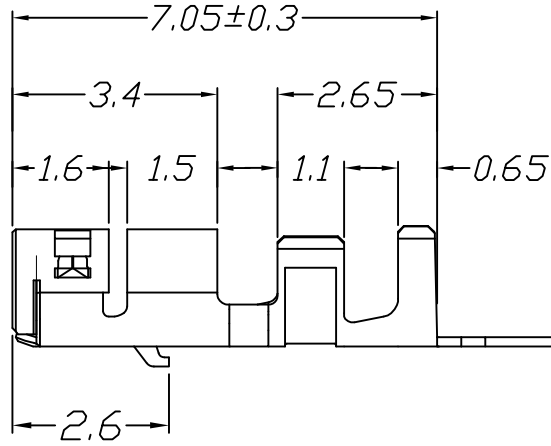
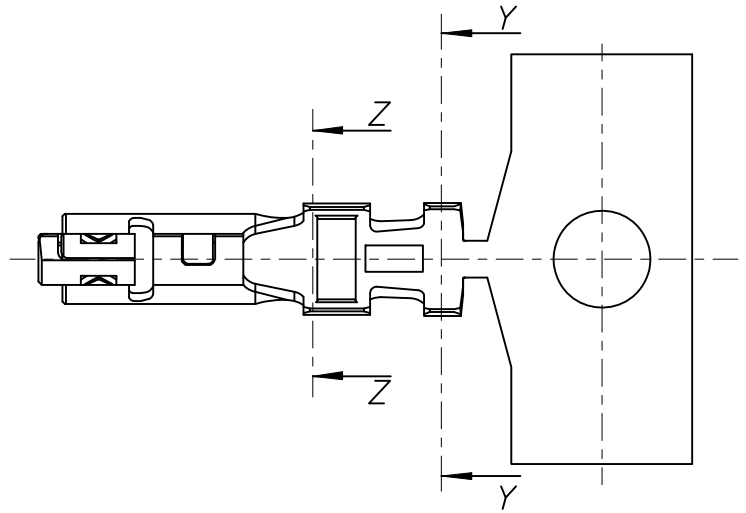
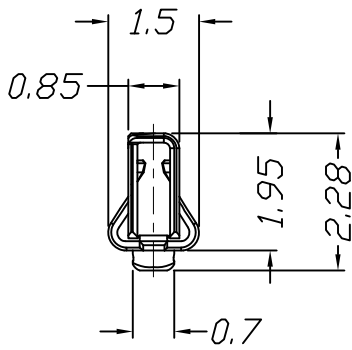
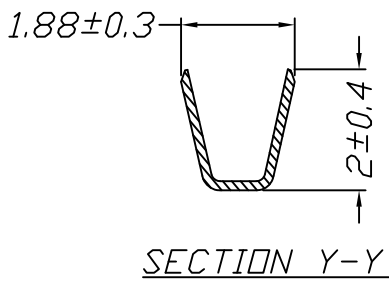
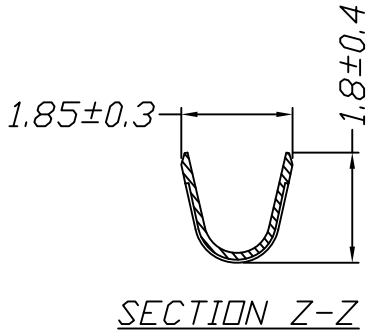


仅供参考

REV.	REVISION RECORD	DATE
A0	新图面发行	2017.06.16

Specifications:  
 Voltage Rating : 125V AC/DC  
 Current Rating : 2A AC,DC  
 Withstand Voltage : 600V AC/minute  
 Contact Resistance : 40mΩ(MAX.)  
 Insulation Resistance : 1000MΩ(MIN.)  
 Temperature Range : -40°C~+105°C



Wire Range	Insulation O. D.	Material	Finish	Qty/Reel
AWG #22	1.40mm	Phosphor bronze	Au or Sn	

	GENERAL TOLERANCES		SCALE: 1:1	NAME	DATE	深圳市思拓展电子有限公司 SHENZHEN SINOTOP ELECTRONICS CO., LTD 公司网址: www.szstuo.cn 公司电话: 0755-23765350 电子邮箱: 2850175982@qq.com 公司传真: 0755-23765341	PART. NO: STP42012TOP-XX
	LINEAR	ANGLES	APPROVED				DWG. NO:
UNIT: MM	0.0±0.35	X° REF±6°	DESIGNER			TITLE: 2.00mm PITCH Crimp Terminal	REV: A0 SHEET: 1/1
SIZE: A4	0.000±0.15	X° X'±2°	DRAWN	肖坤权	2017.06.16		