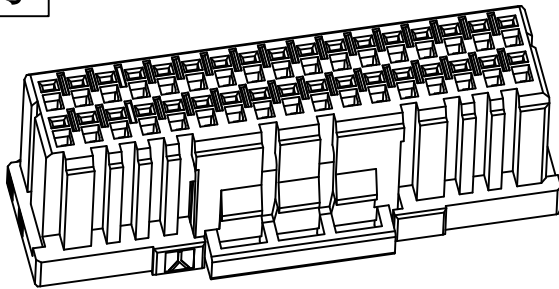
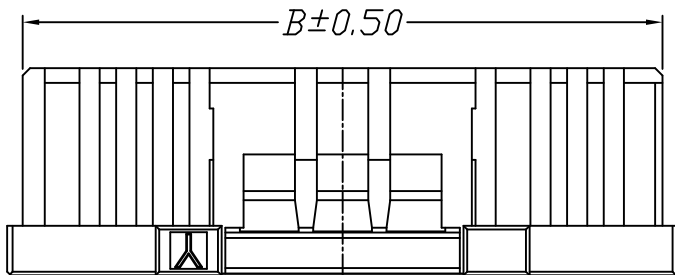
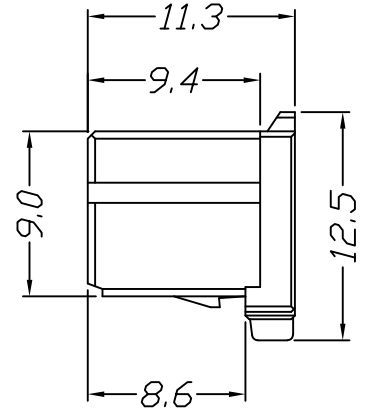
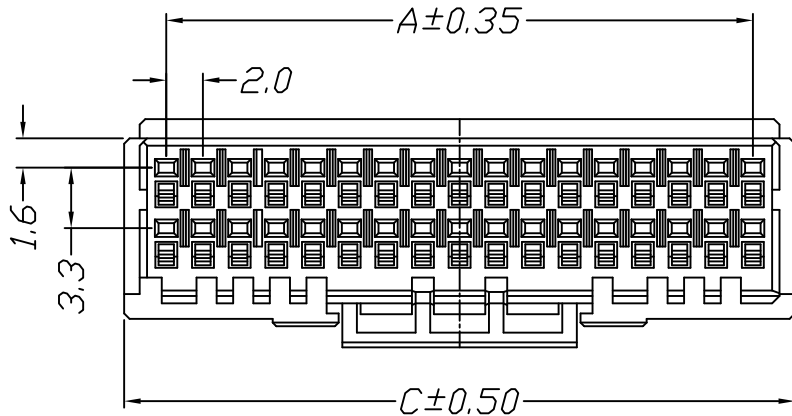
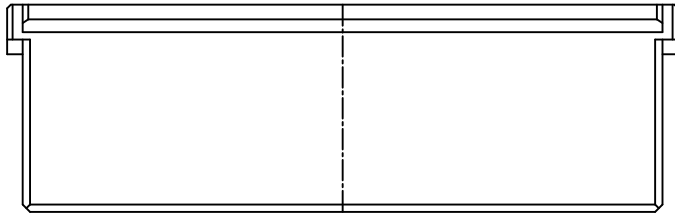


仅供参考

REV.	REVISION RECORD	DATE
A0	新图面发行	2017.06.16



Specifications:
 Voltage Rating : 250V AC/DC
 Current Rating : 3A AC,DC
 Withstand Voltage : 1000V AC/minute
 Contact Resistance : 40mΩ(MAX.)
 Insulation Resistance : 1000MΩ(MIN.)
 Temperature Range : -55°C~+105°C



Poles	Dimensions		
	A	B	C
2*5P	8.00	10.90	12.60
2*10P	18.00	20.90	22.60
2*11P	20.00	22.90	24.60
2*13P	24.00	26.90	28.60
2*14P	26.00	28.90	30.60
2*15P	28.00	30.90	32.60
2*16P	30.00	32.90	34.60
2*17P	32.00	34.90	36.60
2*20P	38.00	40.90	42.60

Material	Color
PBT UL94V-0	BLACK

	GENERAL TOLERANCES		SCALE: 1:1	NAME	DATE	深圳市思拓展电子有限公司 SHENZHEN SINOTOP ELECTRONICS CO., LTD 公司网址: www.szstuo.cn 公司电话: 0755-23765350 邮箱: 2850175982@qq.com 公司传真: 0755-23765341	PART. NO: STP42001H00-2XNPA-PT
	LINEAR	ANGLES					
UNIT: MM	0.0±0.25	X° REF±6°	DESIGNER			TITLE: 2.00mm PITCH Housing	DWG. NO:
SIZE: A4	0.000±0.15	X° X'±2°	DRAWN	肖坤权	2017.06.16		REV: A0 SHEET: 1/1