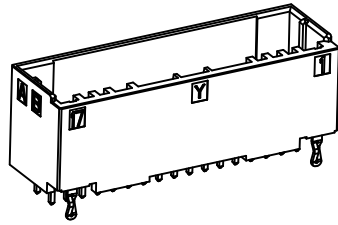
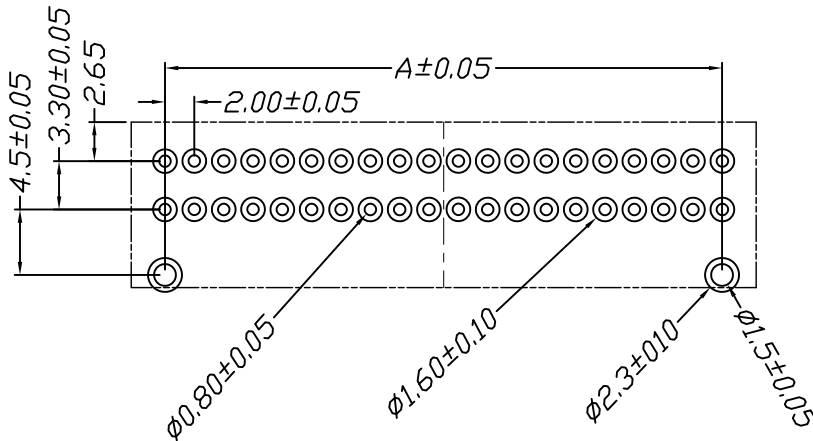
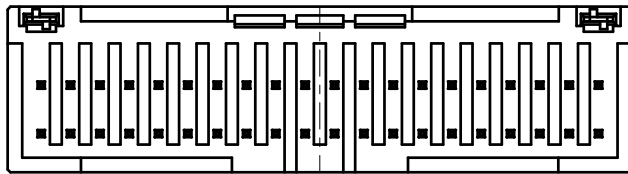
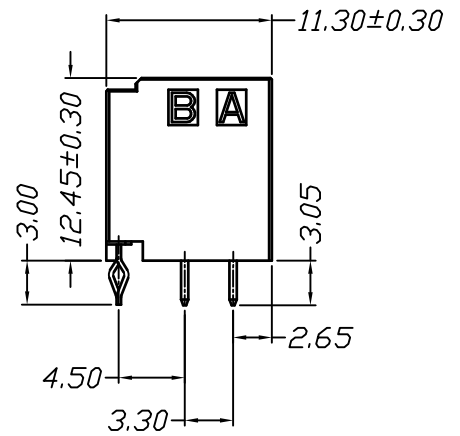
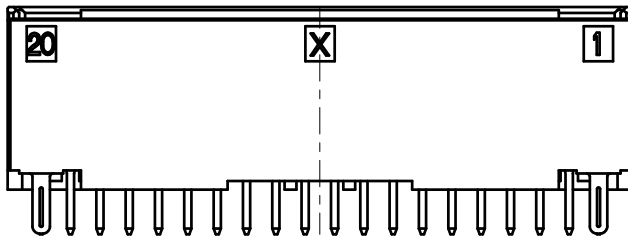
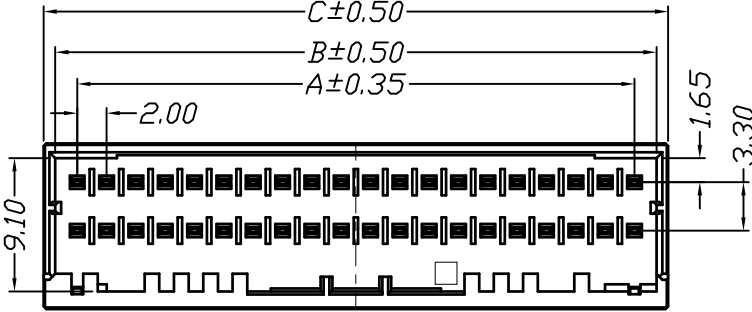


仅供参考

REV.	REVISION RECORD	DATE
A0	新图面发行	2017.06.16



Specifications:
 Voltage Rating : 250V AC/DC
 Current Rating : 3A AC,DC
 Withstand Voltage : 1500V AC/minute
 Contact Resistance : 40mΩ(MAX.)
 Insulation Resistance : 1000MΩ(MIN.)
 Temperature Range : -55°C~+105°C



Poles	Dimensions		
	A	B	C
2*5P	8.00	11.00	12.60
2*10P	18.00	21.00	22.60
2*11P	20.00	23.00	24.60
2*13P	24.00	27.00	28.60
2*14P	26.00	29.00	30.60
2*15P	28.00	31.00	32.60
2*16P	30.00	33.00	34.60
2*17P	32.00	35.00	36.60
2*20P	38.00	41.00	42.60

P.C.B. LAYOUT

Material	Color	PIN Material	Stator Material
PBT,UL94V-0	Black	Bronze/Gold & Tin	Brass/Tin-plated

	GENERAL TOLERANCES		SCALE: 1:1	NAME	DATE
	LINEAR	ANGLES			
	0.0±0.35	X° REF±6°	APPROVED		
UNIT: MM	0.00±0.25	X° ±3°	DESIGNER		
SIZE: A4	0.000±0.15	X° X'±2°	DRAWN	肖坤权	2017.06.16

深圳市思拓展电子有限公司
 SHENZHEN SINOTOP ELECTRONICS CO., LTD
 公司网址: www.szsituo.cn 公司电话: 0755-23765350
 邮 箱: 2850175982@qq.com 公司传真: 0755-23765341

PART. NO:	STP42001W00-2XNPA-A1-01	
DWG. NO:		
REV:	A0	SHEET: 1/1

TITLE:
2.00mm Pitch 180° Dula Wafer DIP Type