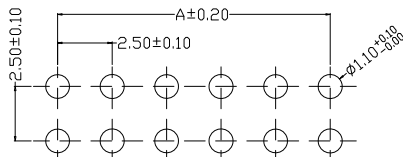
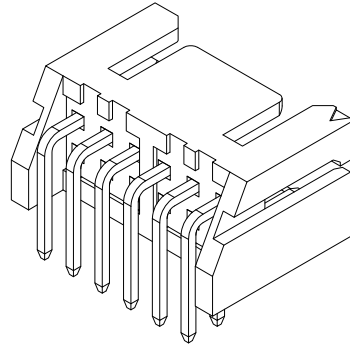
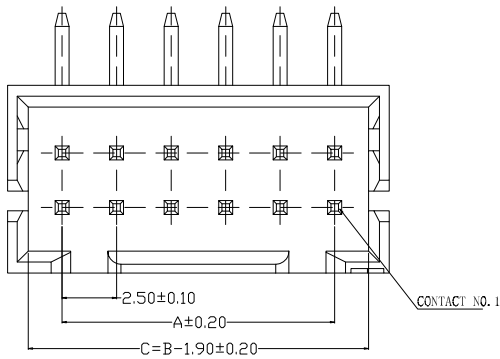
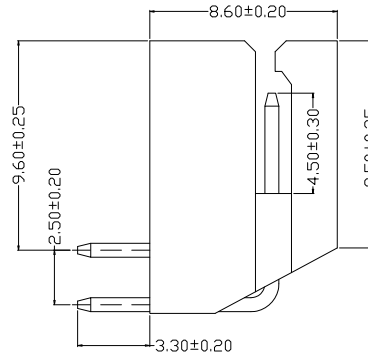
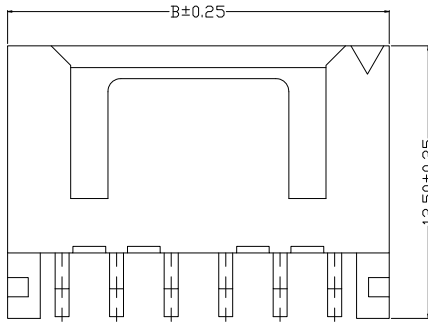
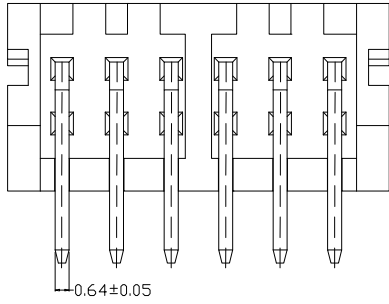


仅供参考

REV.	REVISION RECORD	DATE
A0	新图面发行	2017.06.16

主要技术参数 Main Specifications

线数 (Poles): 04~24, 40
 接触电阻 (Contact resistance): $\leq 30m\Omega$
 绝缘电阻 (Insulation resistance): $\geq 1000M\Omega$
 额定电压 (Rated voltage): 250V AC DC
 额定电流 (Rated current): 3.0A AC DC
 耐电压 (Withstand Voltage): 800V AC/minute
 温度范围 (Temperature Range): $-25^{\circ}C \sim +85^{\circ}C$



PCB LAYOUT

PIN	Dimensions	
	A	B
2*2P	2.50	7.50
2*3P	5.00	10.00
2*4P	7.50	12.50
2*5P	10.00	15.00
2*6P	12.50	17.50
2*7P	15.00	20.00
2*8P	17.50	22.50
2*9P	20.00	25.00
2*10P	22.50	27.50
2*11P	25.00	30.00
2*12P	27.50	32.50
2*20P	47.50	52.50

ITEM	COMPONENT	Q'TY	MATERIAL	FINISH
B	CONTACT	2~15 PCS	Brass	Tin-plated
A	PEDESTAL	1 PCS	PA66	COLOR:BEIGE

 GENERAL TOLERANCES LINEAR: 0.0±0.30 ANGLES: X° REF±6° UNIT: MM SIZE: A4	SCALE: 1:1	NAME	DATE	 深圳市思拓展电子有限公司 SHENZHEN SINOTOP ELECTRONICS CO., LTD 公司网址: www.szstuo.cn 公司电话: 0755-23765350 电子邮箱: 2850175982@qq.com 公司传真: 0755-23765341	PART. NO: ST-WF-250-008AW	
	APPROVED				DWG. NO:	
	DESIGNER				TITLE: 2.50mmPITCH 90° WAFER DIP TYPE	REV: A0
	DRAWN	肖坤权	2017.06.16			SHEET: 1/1