

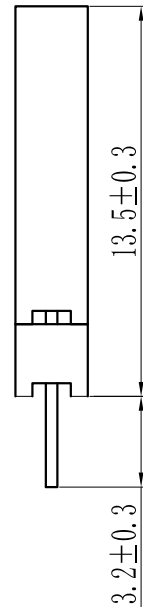
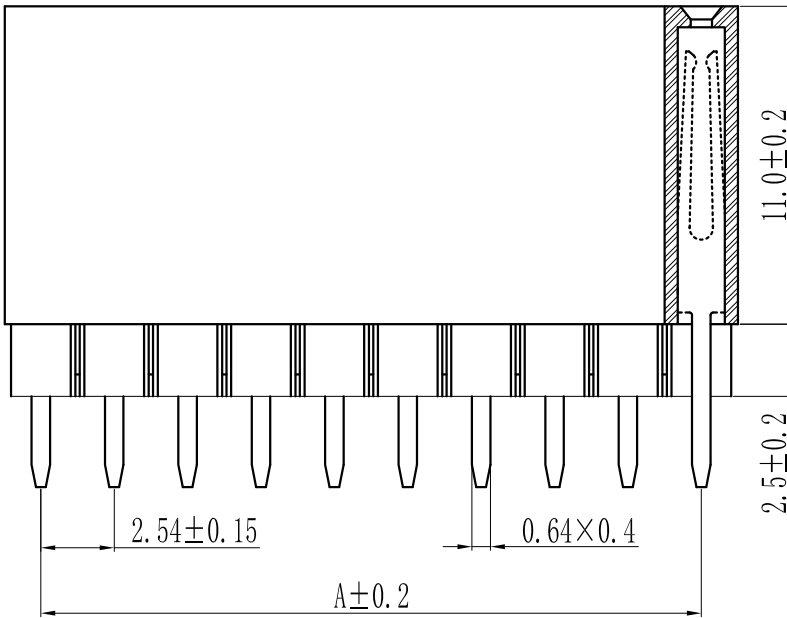
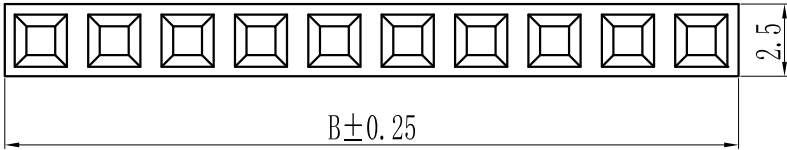
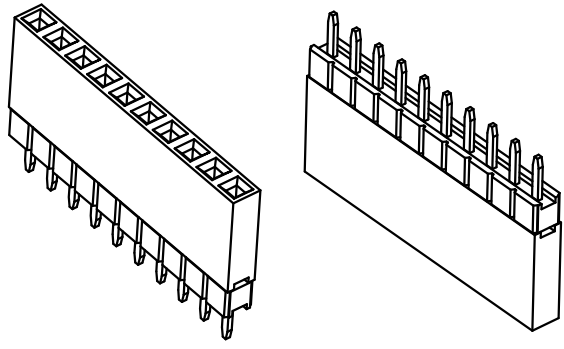
仅供参考

REV.	REVISION RECORD	DATE
A0	新图面发行	2017. 06. 16

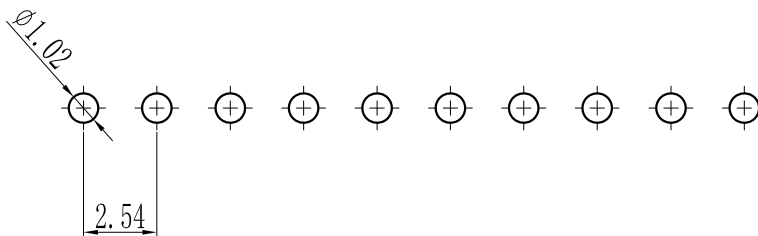
Specification:  
 Current Rating : 3AMP  
 Temperature Range : -40°Cto+105°C  
 Contact Resistance : 20mΩ Max  
 Insulation Resistance : 1000MΩ Min  
 Withstanding Voltage : AC 1000V  
 Material:  
 Insulator : Polyester (UL94V-0)  
 Standard:PBT/PA6T/LCP  
 Contact: Bronze  
 Plating : Au or Sn Over 50u" Ni

1  
2  
3  
4  
5  
6  
7  
8

1  
2  
1  
8



Pin数	尺寸A	尺寸B
1×2	2.54	5.48
1×3	5.08	8.02
1×4	7.62	10.56
1×5	10.16	13.10
1×6	12.70	15.64
1×7	15.24	18.18
1×8	17.78	20.72
1×9	20.32	23.26
1×10	22.86	25.80
1×11	25.40	28.34
1×12	27.94	30.88
1×13	30.48	33.42
1×14	33.02	35.96
1×15	35.56	38.50
1×16	38.10	41.04
1×17	40.64	43.58
1×18	43.18	46.12
1×19	45.72	48.66
1×20	48.26	51.20
1×21	50.80	53.74
1×22	53.34	56.28
1×23	55.88	58.82
1×24	58.42	61.36
1×25	60.96	63.90
1×26	63.50	66.44
1×27	66.04	68.98
1×28	68.58	71.52
1×29	71.12	74.06
1×30	73.66	76.60
1×31	76.20	79.14
1×32	78.74	81.68
1×33	81.28	84.22
1×34	83.82	86.76
1×35	86.36	89.30
1×36	88.90	91.84
1×37	91.44	94.38
1×38	93.98	96.92
1×39	96.52	99.46
1×40	99.06	102.00



PCB LAYOUT

	GENERAL TOLERANCES		SCALE: 1:1	NAME	DATE	深圳市思拓展电子有限公司 SHENZHEN SINOTOP ELECTRONICS CO.,LTD 公司地址: www.szsituo.cn 公司电话: 0755-23765350 邮编: 2850175982@qq.com 公司传真: 0755-23765341	PART. NO: ST-FH-254-0203
	LINEAR	ANGLES	APPROVED				DWG. NO:
UNIT: MM	0.00 ± 0.20	X° REF ± 6°	DESIGNER			TITLE: Pitch2.54mm Female Header, Single Row, Plastic Height (11.0+2.5)mm, DIP Type(Y)	REV: A0 SHEET: 1/1
SIZE: A4	0.000 ± 0.10	X° X' ± 2°	DRAWN	肖坤权	2017. 06. 16		

A B C D E F G H