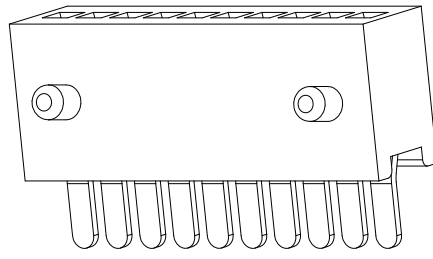
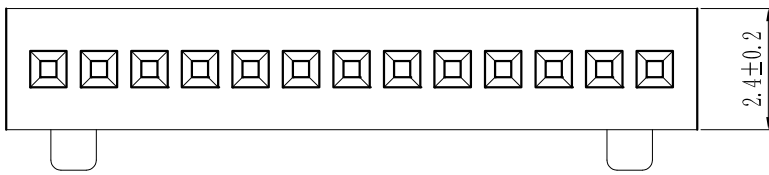


仅供参考

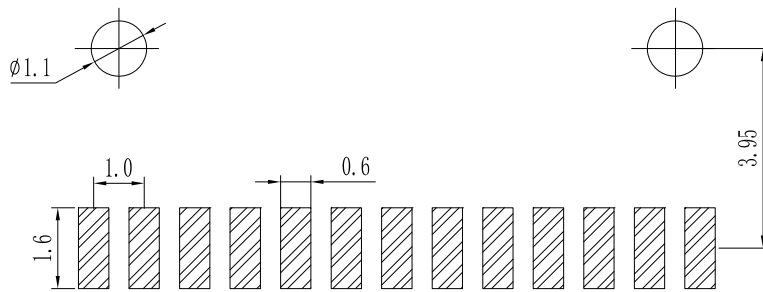
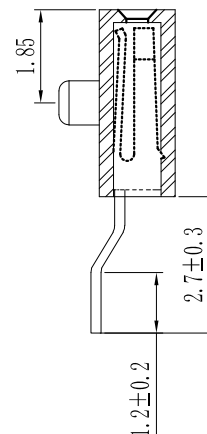
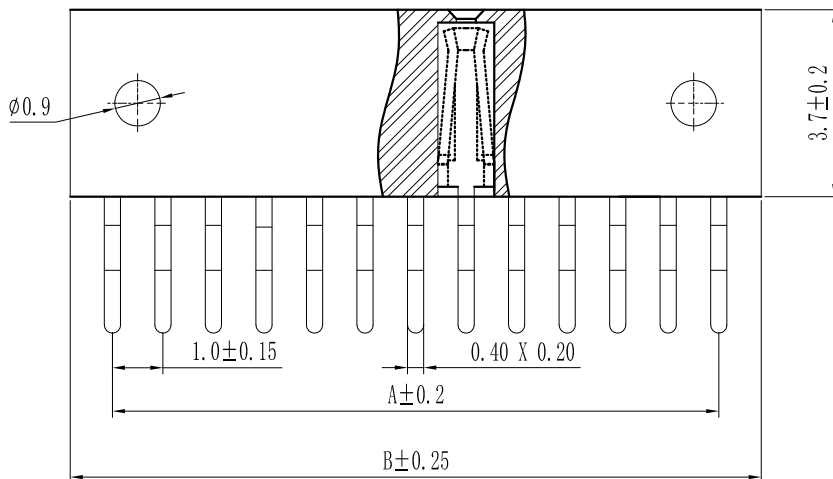
REV.	REVISION RECORD	DATE
AO	新图面发行	2017. 06. 16



Specification:
 Current Rating : 1AMP
 Temperature Range : -40°Cto+105°C
 Contact Resistance : 20mΩ Max
 Insulation Resistance : 1000MΩ Min
 Withstanding Voltage : AC 500V
 Material:
 Insulator : Polyester (UL94V-0)
 Standard:PBT/PA6T/LCP
 Contact: Bronze
 Plating : Au or Sn Over 50u" Ni



Pin数	尺寸A	尺寸B
1×2	1.00	2.40
1×3	2.00	3.40
1×4	3.00	4.40
1×5	4.00	5.40
1×6	5.00	6.40
1×7	6.00	7.40
1×8	7.00	8.40
1×9	8.00	9.40
1×10	9.00	10.40
1×11	10.00	11.40
1×12	11.00	12.40
1×13	12.00	13.40
1×14	13.00	14.40
1×15	14.00	15.40
1×16	15.00	16.40
1×17	16.00	17.40
1×18	17.00	18.40
1×19	18.00	19.40
1×20	19.00	20.40
1×21	20.00	21.40
1×22	21.00	22.40
1×23	22.00	23.40
1×24	23.00	24.40
1×25	24.00	25.40
1×26	25.00	26.40
1×27	26.00	27.40
1×28	27.00	28.40
1×29	28.00	29.40
1×30	29.00	30.40
1×31	30.00	31.40
1×32	31.00	32.40
1×33	32.00	33.40
1×34	33.00	34.40
1×35	34.00	35.40
1×36	35.00	36.40
1×37	36.00	37.40
1×38	37.00	38.40
1×39	38.00	39.40
1×40	39.00	40.40
1×41	40.00	41.40
1×42	41.00	42.40
1×43	42.00	43.40
1×44	43.00	44.40
1×45	44.00	45.40
1×46	45.00	46.40
1×47	46.00	47.40
1×48	47.00	48.40
1×49	48.00	49.40
1×50	49.00	50.40



PCB LAYOUT

	GENERAL TOLERANCES		SCALE: 1:1	NAME	DATE	深圳市思拓展电子有限公司 SHENZHEN SINOTOP ELECTRONICS CO.,LTD 公司网址: www.szsituo.cn 公司电话: 0755-23765350 邮 箱: 2850175982@qq.com 公司传真: 0755-23765341	PART. NO: ST-FH-100-0016	
	LINEAR	ANGLES					APPROVED	DWG. NO:
UNIT: MM	0.00±0.20	X° REF±6°	DESIGNER	TITLE: Pitch1.00mm Female Header, Single Row, Plastic Height 3.7mm, Horizontal SMT with Local Peg Type (U)		REV: AO		SHEET: 1/1
SIZE: A4	0.000±0.10	X° X'±2°	DRAWN	肖坤权	2017. 06. 16			