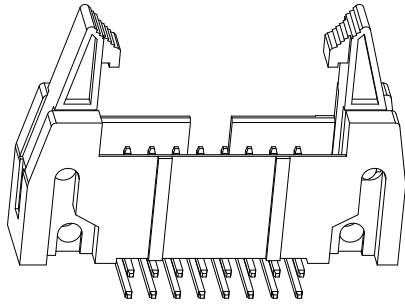
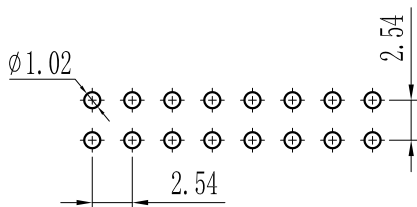
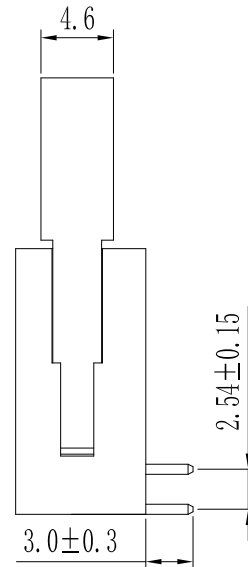
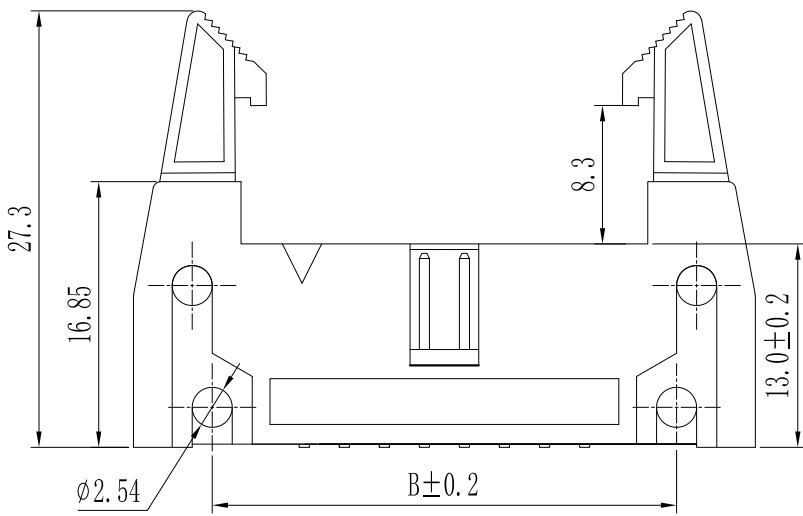
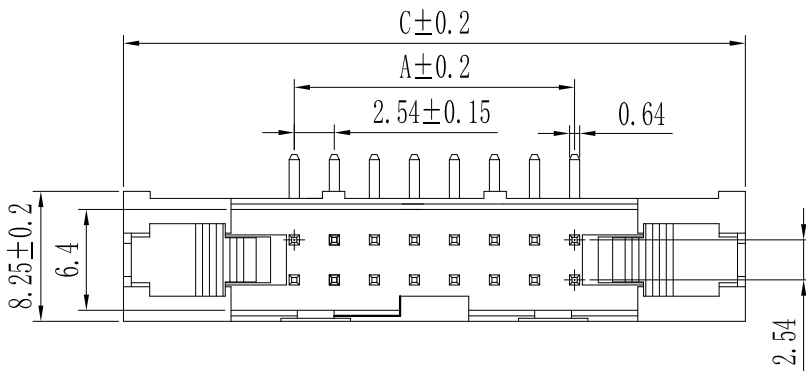


仅供参考

REV.	REVISION RECORD	DATE
A0	新图面发行	2017.06.16



Specification:
 Current Rating : 3AMP
 Temperature Range : -40°C to +105°C
 Contact Resistance : 20mΩ Max
 Insulation Resistance : 1000MΩ Min
 Withstanding Voltage : AC 1000V
 Material:
 Insulator : PBT
 Contact: Brass
 Plating : Au or Sn Over 50u" Ni



PCB LAYOUT

Pin数	尺寸A	尺寸B	尺寸C
2×5	10.16	21.68	31.90
2×6	12.70	24.22	34.44
2×7	15.24	26.76	36.98
2×8	17.78	29.30	39.52
2×9	20.32	31.84	42.06
2×10	22.86	34.38	44.60
2×11	25.40	36.92	47.14
2×12	27.94	39.46	49.68
2×13	30.48	42.00	52.22
2×14	33.02	44.54	54.76
2×15	35.56	47.08	57.30
2×16	38.10	49.62	59.84
2×17	40.64	52.16	62.38
2×18	43.18	54.70	64.92
2×19	45.72	57.24	67.46
2×20	48.26	59.78	70.00
2×22	53.34	64.86	75.08
2×23	55.88	67.40	77.62
2×24	58.42	69.94	80.16
2×25	60.96	72.48	82.70
2×26	63.50	75.02	85.24
2×27	66.04	77.56	87.78
2×28	68.58	80.10	90.32
2×29	71.12	82.64	92.86
2×30	73.66	85.18	95.40
2×31	76.20	87.72	97.94
2×32	78.74	90.26	100.48
2×33	81.28	92.80	103.02
2×34	83.82	95.34	105.56
2×35	86.36	97.88	108.10
2×36	88.90	100.42	110.64
2×37	91.44	102.96	113.18
2×38	93.98	105.50	115.72
2×39	96.52	108.04	118.26
2×40	99.06	110.58	120.80

	GENERAL TOLERANCES		SCALE: 1:1	NAME	DATE	深圳市思拓展电子有限公司 SHENZHEN SINTOP ELECTRONICS CO.,LTD 公司地址: www.szsituo.cn 公司电话: 0755-23765350 邮 箱: 2850175982@qq.com 公司传真: 0755-23765341	PART. NO: ST-EF-254-003	
	LINEAR	ANGLES					APPROVED	DWG. NO:
UNIT: MM	0.00±0.20	X° REF±6°	DESIGNER	TITLE: Pitch2.54mm Ejector Header, Dual Row, Plastic Height 27.30mm, Right Angle Type		REV: A0		SHEET: 1/1
SIZE: A4	0.000±0.10	X° X'±2°	DRAWN	肖坤权	2017.06.16			