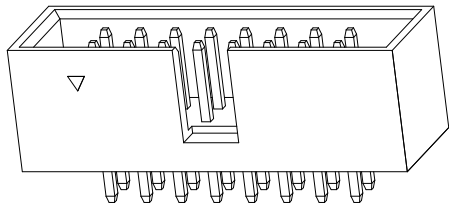
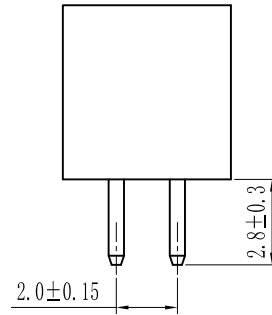
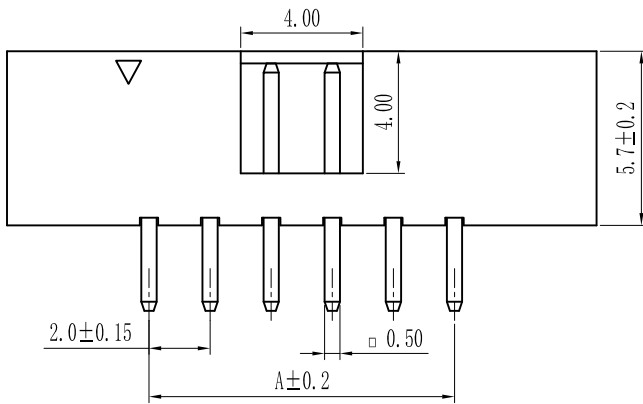
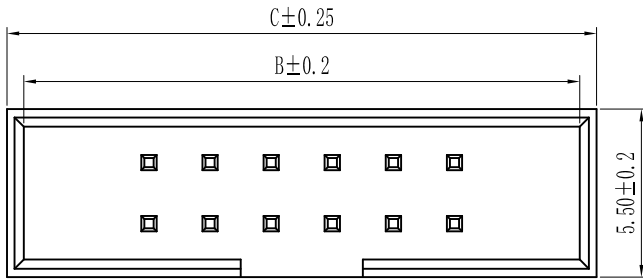


仅供参考

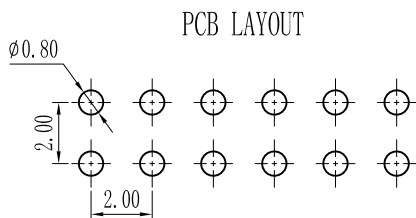
| | | |
|------|-----------------|------------|
| REV. | REVISION RECORD | DATE |
| A0 | 新图面发行 | 2017.06.16 |



Specification:
 Current Rating : 2AMP
 Temperature Range : -40°C to +105°C
 Contact Resistance : 20mΩ Max
 Insulation Resistance : 1000MΩ Min
 Withstanding Voltage : AC 500V
 Material:
 Insulator : PBT/PA6T/LCP
 Contact: Brass
 Plating : Au or Sn Over 50u" Ni



| Pin数 | 尺寸A | 尺寸B | 尺寸C |
|------|-------|-------|-------|
| 2×3 | 4.00 | 12.20 | 13.30 |
| 2×4 | 6.00 | 14.20 | 15.30 |
| 2×5 | 8.00 | 16.20 | 17.30 |
| 2×6 | 10.00 | 18.20 | 19.30 |
| 2×7 | 12.00 | 20.20 | 21.30 |
| 2×8 | 14.00 | 22.20 | 23.30 |
| 2×9 | 16.00 | 24.20 | 25.30 |
| 2×10 | 18.00 | 26.20 | 27.30 |
| 2×11 | 20.00 | 28.20 | 29.30 |
| 2×12 | 22.00 | 30.20 | 31.30 |
| 2×13 | 24.00 | 32.20 | 33.30 |
| 2×14 | 26.00 | 34.20 | 35.30 |
| 2×15 | 28.00 | 36.20 | 37.30 |
| 2×16 | 30.00 | 38.20 | 39.30 |
| 2×17 | 32.00 | 40.20 | 41.30 |
| 2×18 | 34.00 | 42.20 | 43.30 |
| 2×19 | 36.00 | 44.20 | 45.30 |
| 2×20 | 38.00 | 46.20 | 47.30 |
| 2×21 | 40.00 | 48.20 | 49.30 |
| 2×22 | 42.00 | 50.20 | 51.30 |
| 2×23 | 44.00 | 52.20 | 53.30 |
| 2×24 | 46.00 | 54.20 | 55.30 |
| 2×25 | 48.00 | 56.20 | 57.30 |
| 2×26 | 50.00 | 58.20 | 59.30 |
| 2×27 | 52.00 | 60.20 | 61.30 |
| 2×28 | 54.00 | 62.20 | 63.30 |
| 2×29 | 56.00 | 64.20 | 65.30 |
| 2×30 | 58.00 | 66.20 | 67.30 |
| 2×31 | 60.00 | 68.20 | 69.30 |
| 2×32 | 62.00 | 70.20 | 71.30 |
| 2×33 | 64.00 | 72.20 | 73.30 |
| 2×34 | 66.00 | 74.20 | 75.30 |



| | | | | | | | | |
|----------|--------------------|-----------|---------------|--------|--|---|----------------------------|------------|
| | GENERAL TOLERANCES | | SCALE: 1:1 | NAME | DATE | 深圳市思拓展电子有限公司 SHENZHEN SINTOP ELECTRONICS CO.,LTD 公司地址: www.szsituo.cn 公司电话: 0755-23765350 邮 箱: 2850175982@qq.com 公司传真: 0755-23765341 | PART. NO: ST-BF-200-017 | |
| | LINEAR | ANGLES | | | | | APPROVED | DWG. NO: |
| UNIT: MM | 0.0±0.30 | X° REF±6° | DESIGNER | TITLE: | Pitch2.00mm Box Header, Dual Row, Plastic Height 5.7mm, DIP | | REV: A0 | SHEET: 1/1 |
| SIZE: A4 | 0.000±0.10 | X° X'±2° | DRAWN | 肖坤权 | 2017.06.16 | | | |