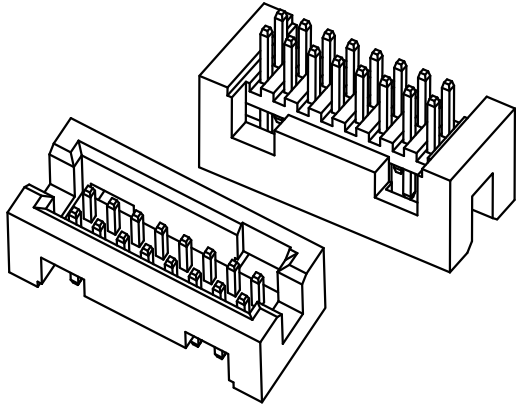
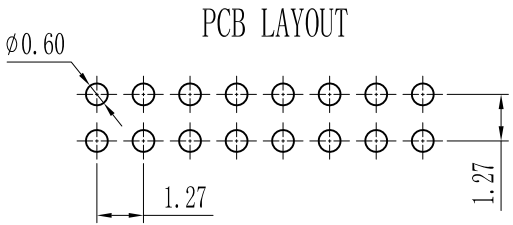
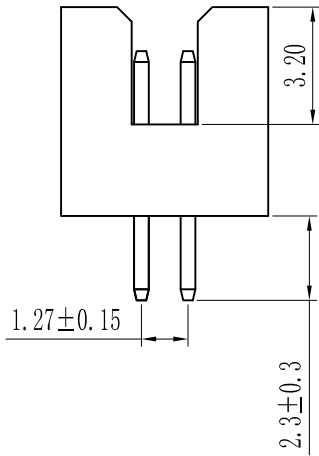
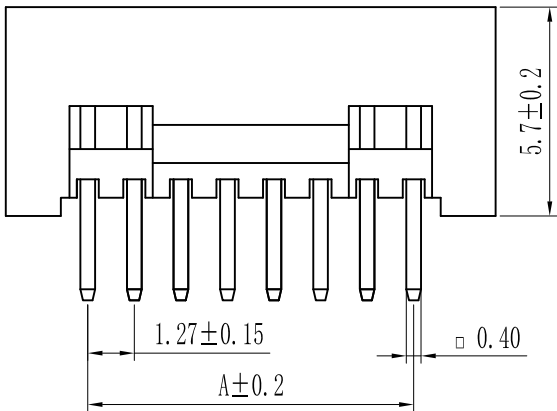
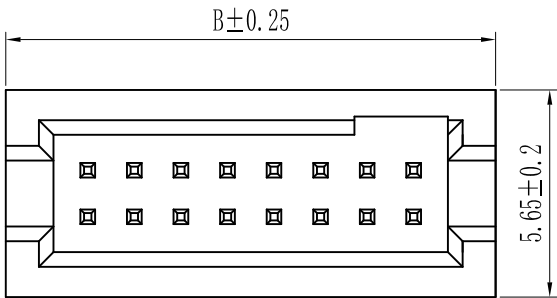


REV.	REVISION RECORD	DATE
AO	新图面发行	2017.06.16



Specification:  
 Current Rating : 1AMP  
 Temperature Range : -40°Cto+105°C  
 Contact Resistance : 20mΩ Max  
 Insulation Resistance : 1000MΩ Min  
 Withstanding Voltage : AC 500V  
 Material:  
 Insulator : PBT/PA6T/LCP  
 Contact: Brass  
 Plating : Au or Sn Over 50u" Ni



Pin数	尺寸A	尺寸B	尺寸C
2×5	5.08	9.55	8.89
2×6	6.35	10.82	10.16
2×7	7.62	12.09	11.43
2×8	8.89	13.36	12.70
2×9	10.16	14.63	13.97
2×10	11.43	15.90	15.24
2×11	12.70	17.17	16.51
2×12	13.97	18.44	17.78
2×13	15.24	19.71	19.05
2×14	16.51	20.98	20.32
2×15	17.78	22.25	21.59
2×16	19.05	23.52	22.86
2×17	20.32	24.79	24.13
2×18	21.59	26.06	25.40
2×19	22.86	27.33	26.67
2×20	24.13	28.60	27.94
2×21	25.40	29.87	29.21
2×22	26.67	31.14	30.48
2×23	27.94	32.41	31.75
2×24	29.21	33.68	33.02
2×25	30.48	34.95	34.29
2×26	31.75	36.22	35.56
2×27	33.02	37.49	36.83
2×28	34.29	38.76	38.10
2×29	35.56	40.03	39.37
2×30	36.83	41.30	40.64
2×31	38.10	42.57	41.91
2×32	39.37	43.84	43.18
2×33	40.64	45.11	44.45
2×34	41.91	46.38	45.72
2×35	43.18	47.65	46.99
2×36	44.45	48.92	48.26
2×37	45.72	50.19	49.53
2×38	46.99	51.46	50.80
2×39	48.26	52.73	52.07
2×40	49.53	54.00	53.34
2×41	50.80	55.27	54.61
2×42	52.07	56.54	55.88
2×43	53.34	57.81	57.15
2×44	54.61	59.08	58.42
2×45	55.88	60.35	59.69
2×46	57.15	61.62	60.96
2×47	58.42	62.89	62.23
2×48	59.69	64.16	63.50
2×49	60.96	65.43	64.77
2×50	62.23	66.70	66.04

	GENERAL TOLERANCES		SCALE: 1:1	NAME	DATE	深圳市思拓展电子有限公司 SHENZHEN SINOTOP ELECTRONICS CO.,LTD 公司网址: www.szsituo.cn      公司电话: 0755-23765350 邮 箱: 2850175982@qq.com      公司传真: 0755-23765341	PART. NO: ST-BF-127-007	
	LINEAR	ANGLES					APPROVED	DWG. NO:
UNIT: MM	0.0±0.30	X° REF±6°	DESIGNER	TITLE: Pitch1.27mm Box Header, Dual Row, Plastic Height 5.7mm, DIP		REV: AO		SHEET: 1/1
SIZE: A4	0.000±0.10	X° X'±2°	DRAWN	肖坤权	2017.06.16			