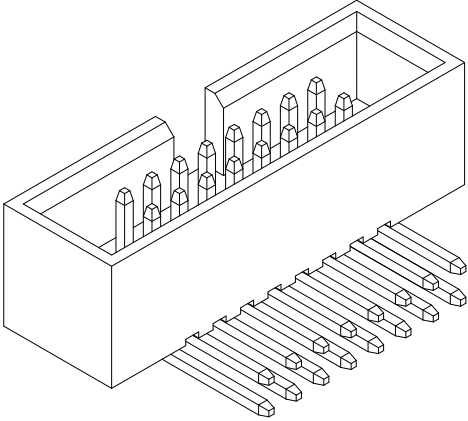
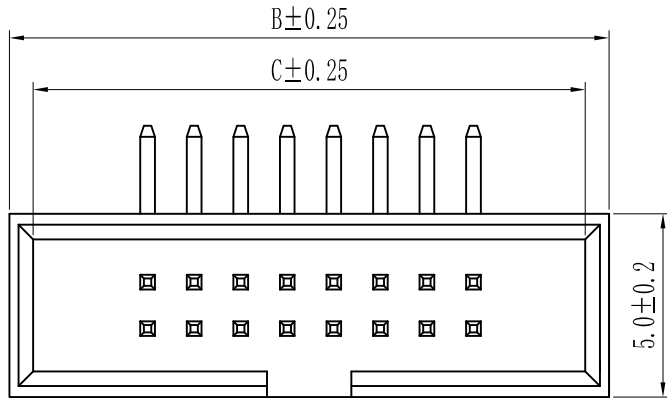


REV.	REVISION RECORD	DATE
A0	新图面发行	2017.06.16

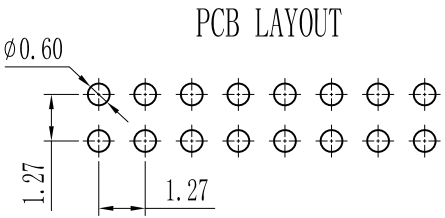
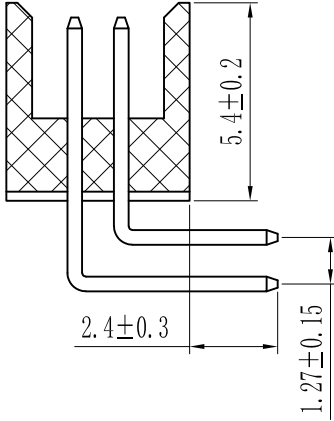
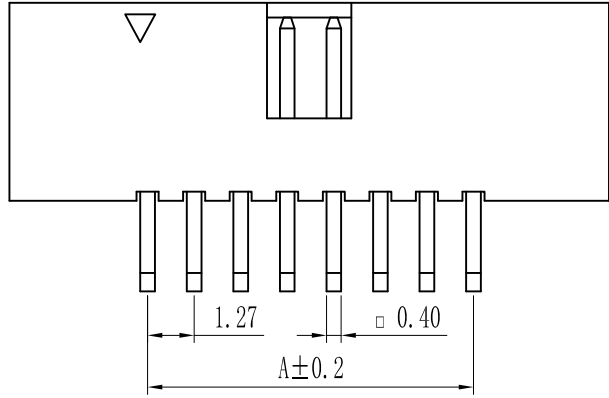
1
2
3
4
5
6
7
8



Specification:
 Current Rating : 1AMP
 Temperature Range : -40°Cto+105°C
 Contact Resistance : 20mΩ Max
 Insulation Resistance : 1000MΩ Min
 Withstanding Voltage : AC 500V
 Material:
 Insulator : PBT/PA6T/LCP
 Contact: Brass
 Plating : Au or Sn Over 50u" Ni



Pin数	尺寸A	尺寸B	尺寸C
2×5	5.08	12.55	11.25
2×6	6.35	13.82	12.52
2×7	7.62	15.09	13.79
2×8	8.89	16.36	15.06
2×9	10.16	17.63	16.33
2×10	11.43	18.90	17.60
2×11	12.70	20.17	18.87
2×12	13.97	21.44	20.14
2×13	15.24	22.71	21.41
2×14	16.51	23.98	22.68
2×15	17.78	25.25	23.95
2×16	19.05	26.52	25.22
2×17	20.32	27.79	26.49
2×18	21.59	29.06	27.76
2×19	22.86	30.33	29.03
2×20	24.13	31.60	30.30
2×21	25.40	32.87	31.57
2×22	26.67	34.14	32.84
2×23	27.94	35.41	34.11
2×24	29.21	36.68	35.38
2×25	30.48	37.95	36.65
2×26	31.75	39.22	37.92
2×27	33.02	40.49	39.19
2×28	34.29	41.76	40.46
2×29	35.56	43.03	41.73
2×30	36.83	44.30	43.00
2×31	38.10	45.57	44.27
2×32	39.37	46.84	45.54
2×33	40.64	48.11	46.81
2×34	41.91	49.38	48.08
2×35	43.18	50.65	49.35
2×36	44.45	51.92	50.62
2×37	45.72	53.19	51.89
2×38	46.99	54.46	53.16
2×39	48.26	55.73	54.43
2×40	49.53	57.00	55.70
2×41	50.80	58.27	56.97
2×42	52.07	59.54	58.24
2×43	53.34	60.81	59.51
2×44	54.61	62.08	60.78
2×45	55.88	63.35	62.05
2×46	57.15	64.62	63.32
2×47	58.42	65.89	64.59
2×48	59.69	67.16	65.86
2×49	60.96	68.43	67.13
2×50	62.23	69.70	68.40



	GENERAL TOLERANCES		SCALE: 1:1	NAME	DATE	深圳市思拓展电子有限公司 SHENZHEN SINOTOP ELECTRONICS CO.,LTD 公司网址: www.szsituo.cn 公司电话: 0755-23765350 邮 箱: 2850175982@qq.com 公司传真: 0755-23765341	PART. NO: ST-BF-127-006	
	LINEAR	ANGLES					APPROVED	DWG. NO:
UNIT: MM	0.0±0.30	X° REF±6°	DESIGNER	TITLE:	Pitch1.27mm Box Header, Dual Row, Plastic Height 5.4mm, Right Angle Type		REV: A0	SHEET: 1/1
SIZE: A4	0.000±0.10	X° X'±2°	DRAWN	肖坤权	2017.06.16			