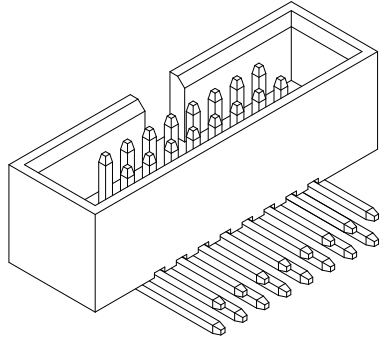
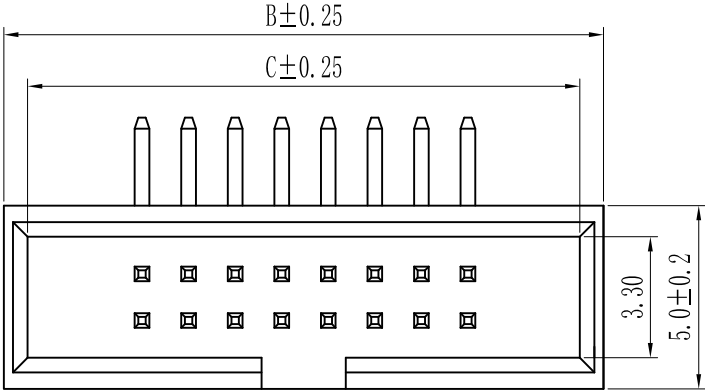


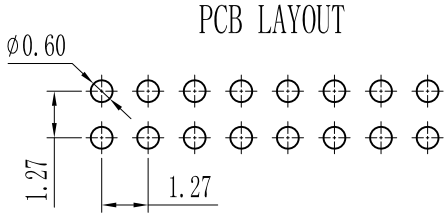
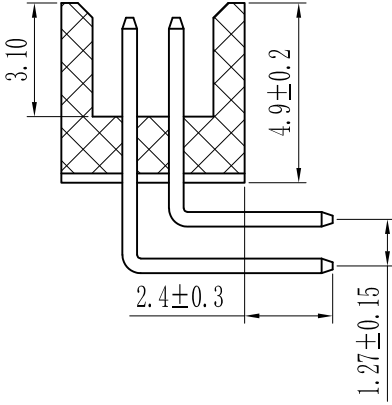
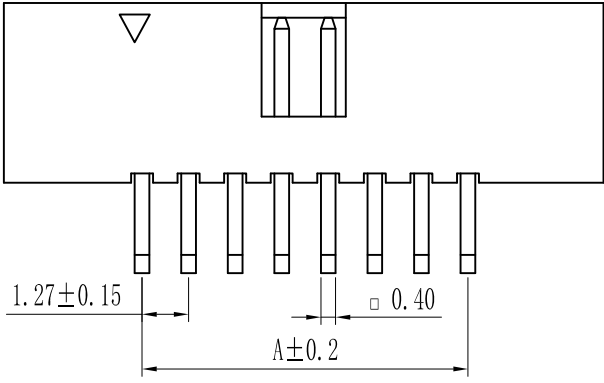
REV.	REVISION RECORD	DATE
A0	新图面发行	2017.06.16



Specification:  
 Current Rating : 1AMP  
 Temperature Range : -40°Cto+105°C  
 Contact Resistance : 20mΩ Max  
 Insulation Resistance : 1000MΩ Min  
 Withstanding Voltage : AC 500V  
 Material:  
 Insulator : PBT/PA6T/LCP  
 Contact: Brass  
 Plating : Au or Sn Over 50u" Ni



Pin数	尺寸A	尺寸B	尺寸C
2×5	5.08	12.55	10.85
2×6	6.35	13.82	12.12
2×7	7.62	15.09	13.39
2×8	8.89	16.36	14.66
2×9	10.16	17.63	15.93
2×10	11.43	18.90	17.20
2×11	12.70	20.17	18.47
2×12	13.97	21.44	19.74
2×13	15.24	22.71	21.01
2×14	16.51	23.98	22.28
2×15	17.78	25.25	23.55
2×16	19.05	26.52	24.82
2×17	20.32	27.79	26.09
2×18	21.59	29.06	27.36
2×19	22.86	30.33	28.63
2×20	24.13	31.60	29.90
2×21	25.40	32.87	31.17
2×22	26.67	34.14	32.44
2×23	27.94	35.41	33.71
2×24	29.21	36.68	34.98
2×25	30.48	37.95	36.25
2×26	31.75	39.22	37.52
2×27	33.02	40.49	38.79
2×28	34.29	41.76	40.06
2×29	35.56	43.03	41.33
2×30	36.83	44.30	42.60
2×31	38.10	45.57	43.87
2×32	39.37	46.84	45.14
2×33	40.64	48.11	46.41
2×34	41.91	49.38	47.68
2×35	43.18	50.65	48.95
2×36	44.45	51.92	50.22
2×37	45.72	53.19	51.49
2×38	46.99	54.46	52.76
2×39	48.26	55.73	54.03
2×40	49.53	57.00	55.30
2×41	50.80	58.27	56.57
2×42	52.07	59.54	57.84
2×43	53.34	60.81	59.11
2×44	54.61	62.08	60.38
2×45	55.88	63.35	61.65
2×46	57.15	64.62	62.92
2×47	58.42	65.89	64.19
2×48	59.69	67.16	65.46
2×49	60.96	68.43	66.73
2×50	62.23	69.70	68.00



	GENERAL TOLERANCES		SCALE: 1:1	NAME	DATE	深圳市思拓展电子有限公司 SHENZHEN SINOTOP ELECTRONICS CO.,LTD 公司地址: www.szsituo.cn 公司电话: 0755-23765350 邮编: 2850175982@qq.com 公司传真: 0755-23765341	PART. NO: ST-BF-127-003
	LINEAR	ANGLES	APPROVED				DWG. NO:
	0.0±0.30	X° REF±6°	DESIGNER				
	UNIT: MM	0.00±0.20	X° ±3°	DRAWN	肖坤权		2017.06.16
SIZE: A4	0.000±0.10	X° X'±2°					