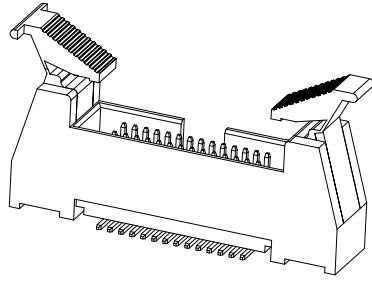
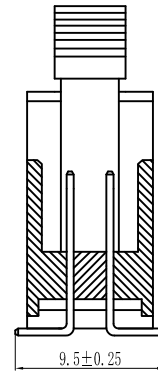
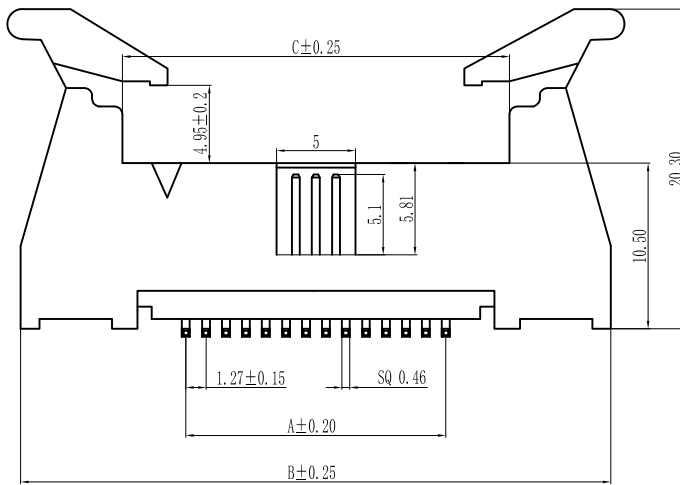
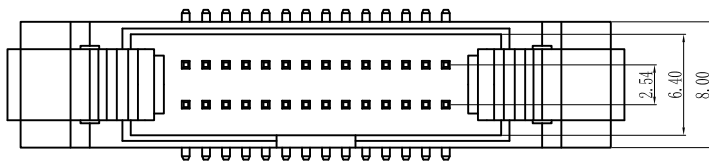


仅供参考

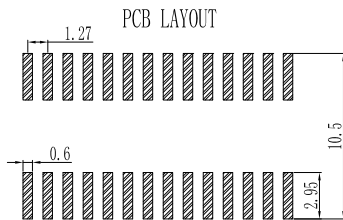
REV.	REVISION RECORD	DATE
A0	新图面发行	2017. 06. 16



Specification:
 Current Rating : 1AMP
 Temperature Range : -40°C to +105°C
 Contact Resistance : 20mΩ Max
 Insulation Resistance : 1000MΩ Min
 Withstanding Voltage : AC 500V
 Material:
 Insulator : PBT
 Contact: Brass
 Plating : Au or Sn Over 50u" Ni



Pin数	尺寸A	尺寸B	尺寸C
2×6	6.35	27.32	14.42
2×8	8.89	29.86	16.96
2×10	11.43	32.40	19.50
2×12	13.97	34.94	22.04
2×14	16.51	37.48	24.58
2×16	19.05	40.02	27.12
2×18	21.59	42.56	29.66
2×20	24.13	45.10	32.20
2×22	26.67	47.64	34.74
2×24	29.21	50.18	37.28
2×26	31.75	52.72	39.82
2×28	34.29	55.26	42.36
2×30	36.83	57.80	44.90
2×32	39.37	60.34	47.44
2×34	41.91	62.88	49.98
2×36	44.45	65.42	52.52
2×38	46.99	67.96	55.06
2×40	49.53	70.50	57.60
2×42	52.07	73.04	60.14
2×44	54.61	75.58	62.68
2×46	57.15	78.12	65.22
2×48	59.69	80.66	67.76
2×50	62.23	83.20	70.30
2×52	64.77	85.74	72.84
2×54	67.31	88.28	75.38
2×56	69.85	90.82	77.92
2×58	72.39	93.36	80.46
2×60	74.93	95.90	83.00



	GENERAL TOLERANCES		SCALE: 1:1	NAME	DATE	深圳市思拓展电子有限公司 SHENZHEN SINTOP ELECTRONICS CO.,LTD 公司网址: www.szsituo.cn 公司电话: 0755-23765350 邮 箱: 2850175982@qq.com 公司传真: 0755-23765341	PART. NO: ST-EF-127-005	
	LINEAR	ANGLES					APPROVED	DWG. NO:
UNIT: MM	0.0±0.30	X° REF±6°	DESIGNER	TITLE: Pitch1.27mm Ejector Header, Dual Row, Plastic Height 20.30mm, SMT Type		REV: A0		SHEET: 1/1
SIZE: A4	0.000±0.10	X° X'±2°	DRAWN	肖坤权	2017. 06. 16			