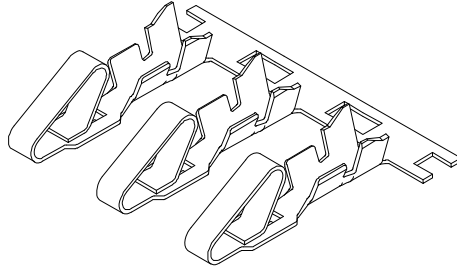


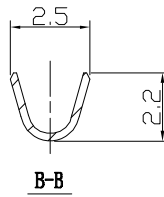
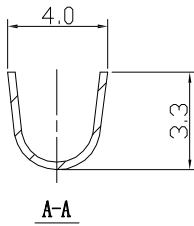
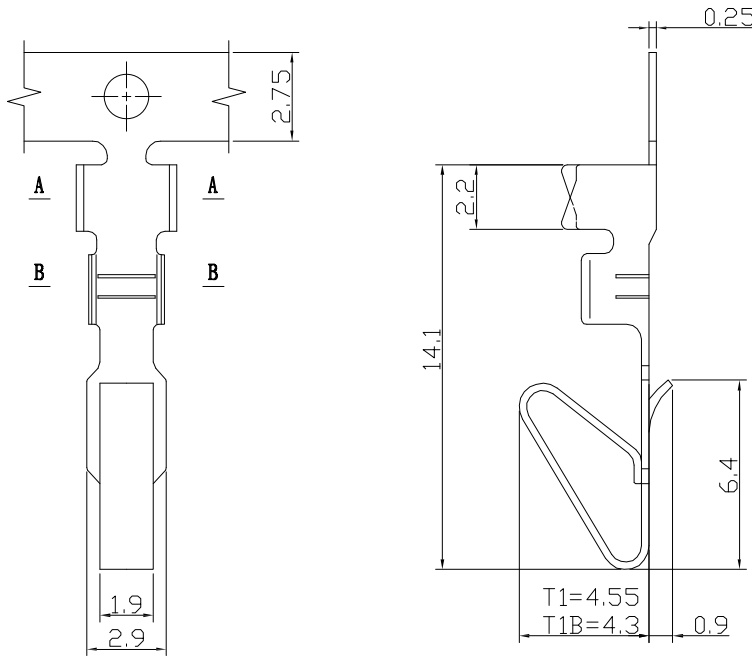
仅供参考

REV.	REVISION RECORD	DATE
A0	新图面发行	2017.06.16



主要技术参数
Main Specifications

线数 (poles): 2 to 16P
 额定电流 (Current rating): 7.0A AC, DC
 额定电压 (Voltage rating): 250V AC, DC
 温度范围 (Temperature range): -25°C to +85°C
 接触电阻 (Contact resistance): $\leq 20m\Omega$
 绝缘电阻 (Insulation resistance): $\geq 1000M\Omega$
 耐电压 (Withstand voltage): 1500V AC/minute
 适用线规 (Applicable wire): AWG #24 to #18
 适用基板厚度 (Applicable PC board thickness): 1.6mm



Wire Range	Insulation O. D.	Material	Finish	Qty/Reel
AWG #18~#24		Phosphor bronze	Tin-plated	5000PCS/Reel (1盘)

	GENERAL TOLERANCES		SCALE: 1:1	NAME	DATE	深圳市思拓展电子有限公司 SHENZHEN SINOTOP ELECTRONICS CO., LTD 公司网址: www.szstuo.cn 公司电话: 0755-23765350 邮箱: 2850175982@qq.com 公司传真: 0755-23765341	PART. NO: ST-WF-508-001T	
	LINEAR	ANGLES	APPROVED				DWG. NO:	
UNIT: MM	0.00±0.20	X° REF±6°	DESIGNER			TITLE:	REV: A0 SHEET: 1/1	
SIZE: A4	0.000±0.10	X° X'±2°	DRAWN	肖坤权	2017.06.16	5.08mm PITCH TERMINAL		