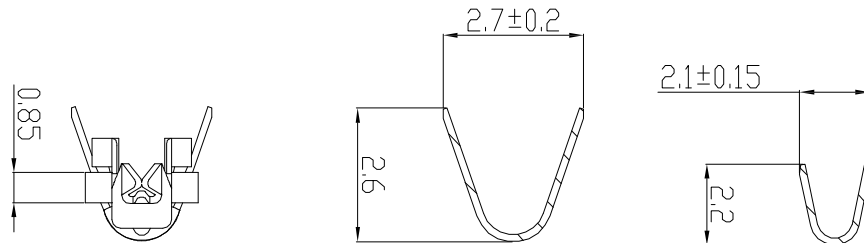
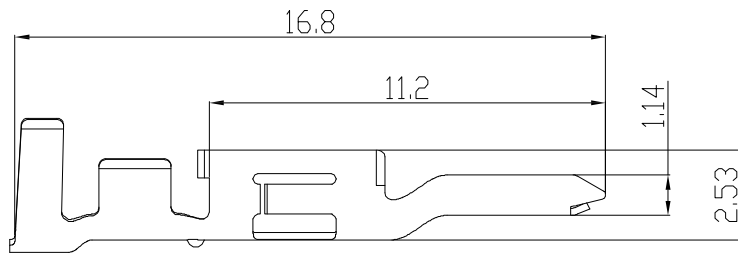
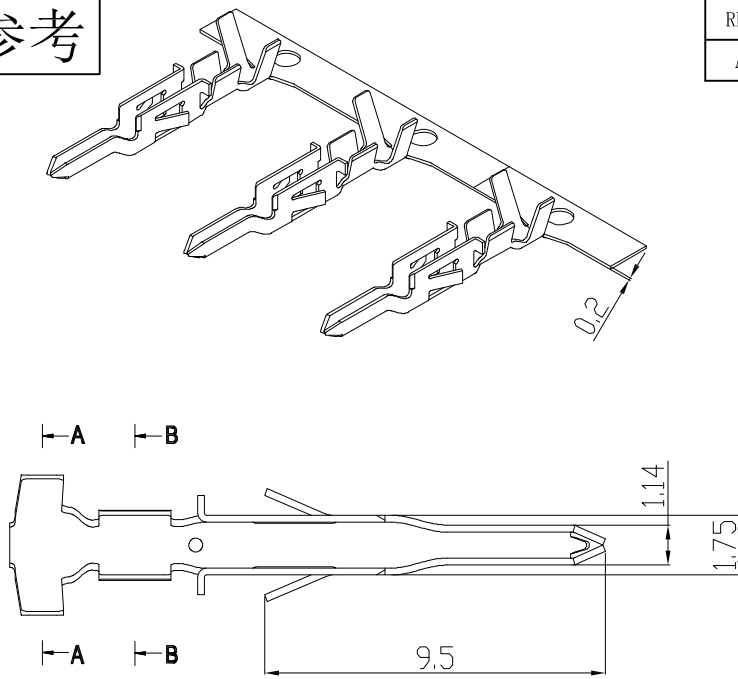


仅供参考

REV.	REVISION RECORD	DATE
A0	新图面发行	2017. 06. 16

主要技术参数
Main Specifications

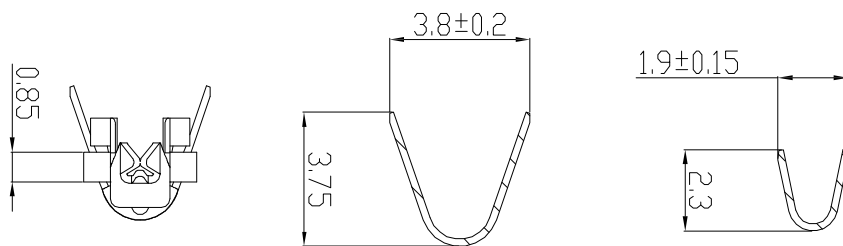
线数 (poles): 2 to 6/2 to 24 P
 额定电流 (Current rating): 9.0A AC, DC
 额定电压 (Voltage rating): 300V AC, DC
 温度范围 (Temperature range): -25°C to +85°C
 接触电阻 (Contact resistance): $\leq 15m\Omega$
 绝缘电阻 (Insulation resistance): $\geq 1000M\Omega$
 耐电压 (Withstand voltage): 1500V AC/minute
 适用线规 (Applicable wire): AWG #20 to #16
 适用基板厚度 Applicable PC board thickness: 1.6 to 2.0mm



低脚

A-A

B-B



高脚

A-A

B-B

Wire Range	Insulation O. D.	Material	Finish	Qty/Reel
AWG #16~#20		Phosphor bronze	Tin-plated	5000PCS/Roll

	GENERAL TOLERANCES		SCALE: 1:1	NAME	DATE	深圳市思拓展电子有限公司 SHENZHEN SINOTOP ELECTRONICS CO., LTD 公司网址: www.szsituo.cn 公司电话: 0755-23765350 邮箱: 2850175982@qq.com 公司传真: 0755-23765341	PART. NO:	
	LINEAR	ANGLES	APPROVED				ST-WF-420-002T	
	0.0±0.30	X° REF±6°	DESIGNER				DWG. NO:	
	UNIT: MM	0.00±0.20	X° ±3°	DRAWN	肖坤权		2017. 06. 16	REV: A0 SHEET: 1/1
SIZE: A4	0.000±0.10	X° X'±2°				TITLE: 4. 20mm PITCH TERMINAL		

A B C D E F G H