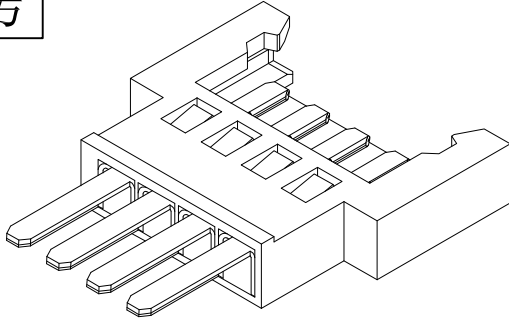


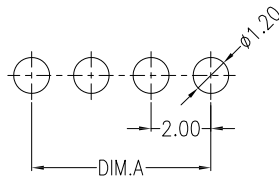
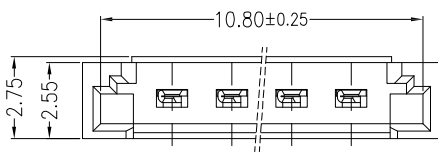
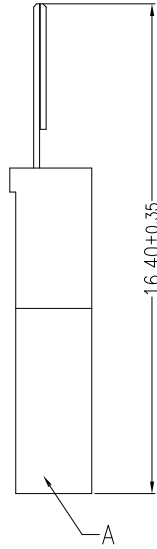
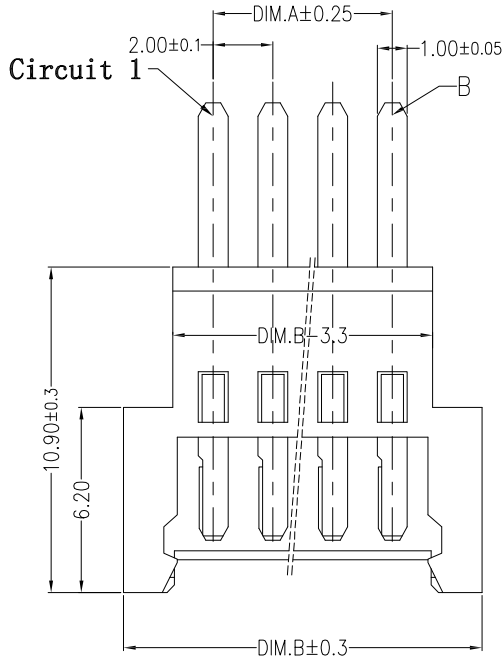
仅供参考

REV.	REVISION RECORD	DATE
A0	新图面发行	2017.06.16



主要技术参数 Main Specifications

- 线数 (Poles): 02 to 16
- 接触电阻 (Contact resistance): $\leq 20m\Omega$
- 绝缘电阻 (Insulation resistance): $\geq 1000M\Omega$
- 额定电压 (Rated voltage): 125V AC DC
- 额定电流 (Rated current): 2.0A AC DC
- 耐电压 (Withstand Voltage): 500V AC/minute
- 温度范围 (Temperature Range): $-40^{\circ}C \sim +120^{\circ}C$



SUGGESTED PCB LAYOUT

Circuits	Dimensions (mm)		
	A	B	C
02	2.00	8.00	6.80
03	4.00	10.00	8.80
04	6.00	12.00	10.80
05	8.00	14.00	12.80
06	10.00	16.00	14.80
07	12.00	18.00	16.80
08	14.00	20.00	18.80
09	16.00	22.00	20.80
10	18.00	24.00	22.80
11	20.00	26.00	24.80
12	22.00	28.00	26.80
13	24.00	30.00	28.80
14	26.00	32.00	30.80
15	28.00	34.00	32.80
16	30.00	36.00	34.80

B	CONTACT	n PCS	PhosphorBronze	Sn-plated
A	PEDESTAL	1 PCS	PA66	COLOR:WHITE
ITEM	COMPONENT	Q'TY	MATERIAL	FINISH

	GENERAL TOLERANCES		SCALE: 1:1	NAME	DATE	深圳市思拓展电子有限公司 SHENZHEN SINOTOP ELECTRONICS CO., LTD 公司网址: www.szstuo.cn 公司电话: 0755-23765350 电子邮箱: 2850175982@qq.com 公司传真: 0755-23765341	PART. NO: ST-WF-200-007A
	LINEAR	ANGLES					
UNIT: MM	0.0±0.30	X° REF±6°	DESIGNER			TITLE:	DWG. NO:
SIZE: A4	0.000±0.10	X° X'±2°	DRAWN	肖坤权	2017.06.16	2.00mm PITCH 180° WAFER DIP TYPE	REV: A0 SHEET: 1/1