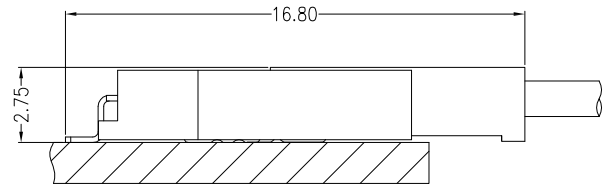
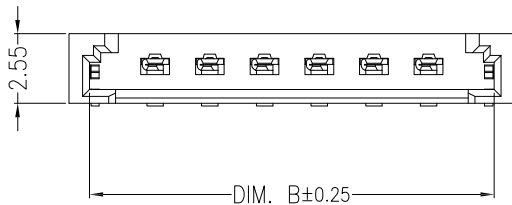
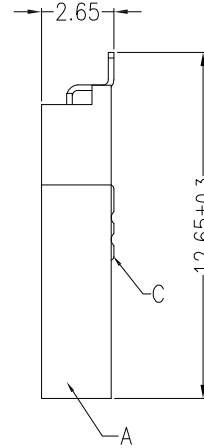
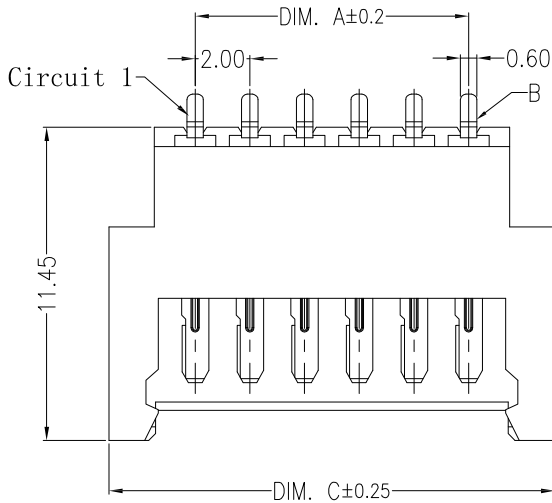
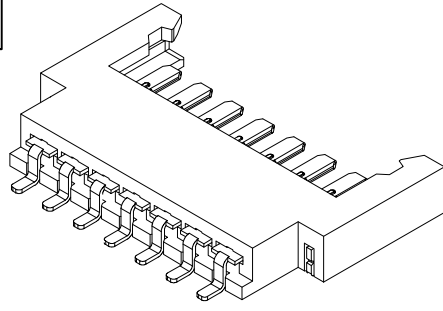


仅供参考

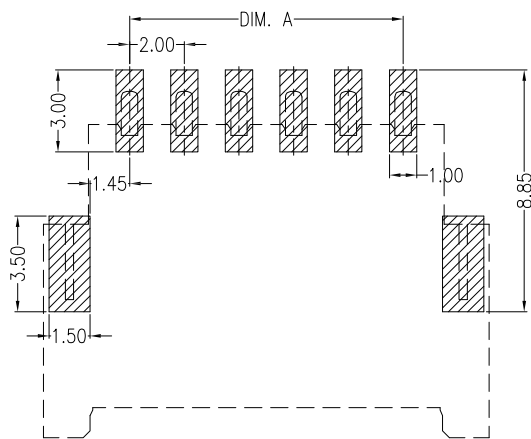
REV.	REVISION RECORD	DATE
A0	新图面发行	2017.06.16

主要技术参数 Main Specifications

线数 (Poles): 02 to 16
 接触电阻 (Contact resistance): $\leq 20m\Omega$
 绝缘电阻 (Insulation resistance): $\geq 1000M\Omega$
 额定电压 (Rated voltage): 125V AC DC
 额定电流 (Rated current): 2.0A AC DC
 耐电压 (Withstand Voltage): 500V AC/minute
 温度范围 (Temperature Range): $-40^{\circ}C \sim +120^{\circ}C$



Assembly Layout



SUGGESTED PCB LAYOUT

Circuits	Dimensions (mm)		
	DIM. A	DIM. B	DIM. C
02	2.00	6.80	8.30
03	4.00	8.80	10.30
04	6.00	10.80	12.30
05	8.00	12.80	14.30
06	10.00	14.80	16.30
07	12.00	16.80	18.30
08	14.00	18.80	20.30

ITEM	COMPONENT	Q'TY	MATERIAL	FINISH
C	SOLDERTAB	2 PCS	Brass	Sn-plated
B	CONTACT	2~8 PCS	PhosphorBronze	MATTE Sn-plated
A	HOUSING	1 PCS	LCP	UL 94V-0, COLOR:BEIGE

	GENERAL TOLERANCES		SCALE: 1:1	NAME	DATE
	LINEAR	ANGLES	APPROVED		
	0.0 ± 0.30	X° REF ± 6°	DESIGNER		
	UNIT: MM	0.00 ± 0.20	X° ± 3°	DRAWN	肖坤权
SIZE: A4	0.000 ± 0.10	X° X' ± 2°			

深圳市思拓展电子有限公司
 SHENZHEN SINOTOP ELECTRONICS CO., LTD
 公司网址: www.szstuo.cn 公司电话: 0755-23765350
 邮箱: 2850175982@qq.com 公司传真: 0755-23765341

PART. NO:	ST-WF-200-007AWR
DWG. NO:	
REV:	A0
SHEET:	1/1