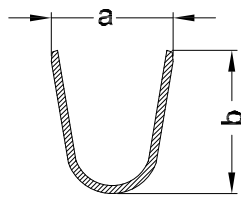
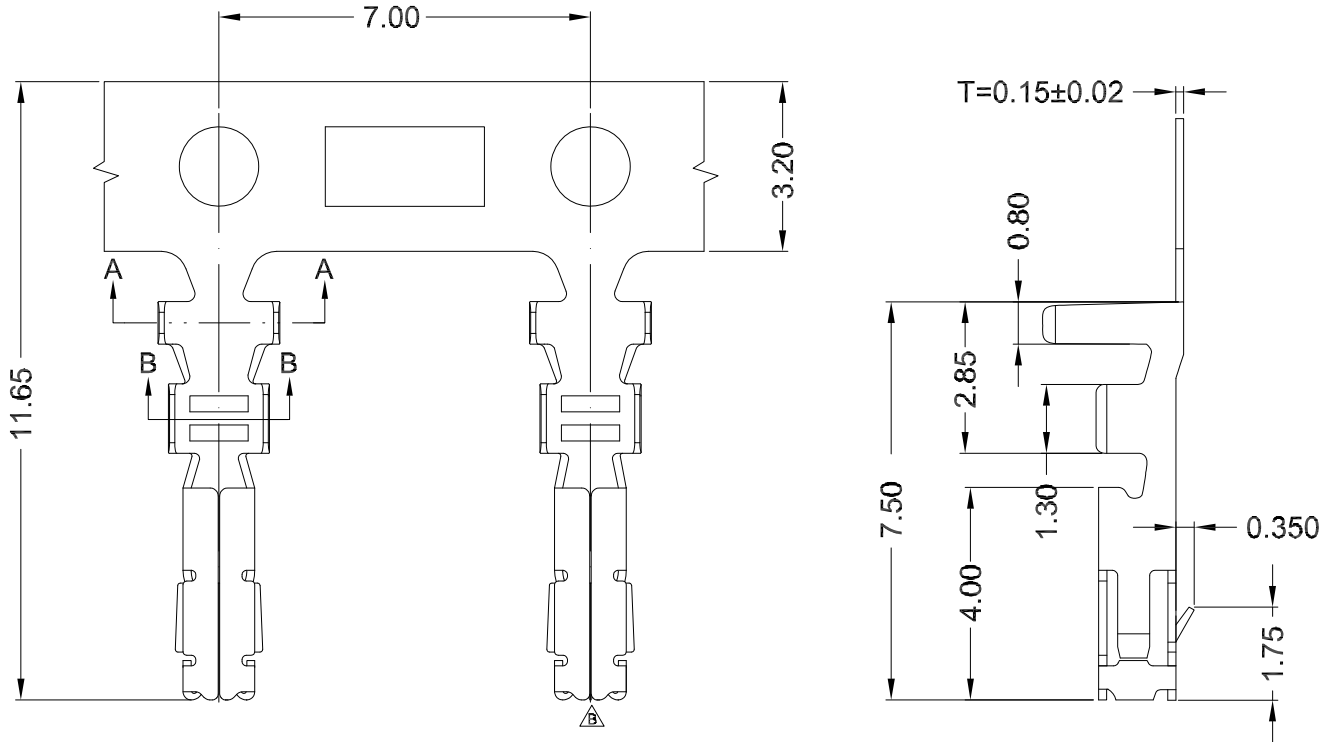


仅供参考

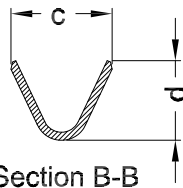
REV.	REVISION RECORD	DATE
A0	新图面发行	2017.06.16

主要技术参数 Main Specifications

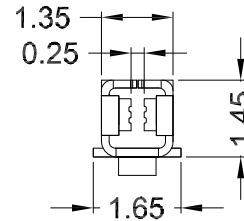
接触电阻 (Contact resistance): $\leq 20m\Omega$
 绝缘电阻 (Insulation resistance): $\geq 1000M\Omega$
 额定电压 (Rated voltage): 250V AC DC
 额定电流 (Rated current): 3.0A AC DC
 耐电压 (Withstand Voltage): 800V AC/minute
 温度范围 (Temperature Range): $-25^{\circ}C \sim +85^{\circ}C$



Section A-A
Scale: 1:1



Section B-B
Scale: 1:1



Part No.	Wire range	Dim. a	Dim. b	Dim. c	Dim. d
STP-WF-200-006T1	#28~#32	1.90	1.90	1.15	1.30
STP-WF-200-006T2	#24~#28	2.20	2.40	1.65	1.30
STP-WF-200-006T3	#22~#26	2.30	2.70	1.90	1.50

Wire Range	Insulation O. D.	Material	Finish	Qty/Reel
-	-	Phosphor Bronze	Tin-plated	

	GENERAL TOLERANCES		SCALE: 1:1	NAME	DATE	深圳市思拓展电子有限公司 SHENZHEN SINOTOP ELECTRONICS CO., LTD 公司网址: www.szstuo.cn 公司电话: 0755-23765350 邮 箱: 2850175982@qq.com 公司传真: 0755-23765341	PART. NO: ST-WF-200-006T	
	LINEAR	ANGLES	APPROVED				DWG. NO:	
	0.0±0.30	X° REF±6°	DESIGNER				REV: A0 SHEET: 1/1	
	UNIT: MM	0.00±0.20	X° ±3°	DRAWN	肖坤权		2017.06.16	TITLE: 2.00mm PITCH TERMINAL
SIZE: A4	0.000±0.10	X° X'±2°						