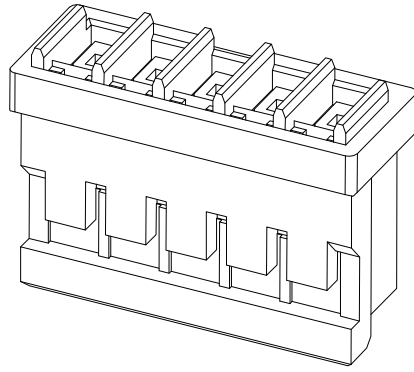


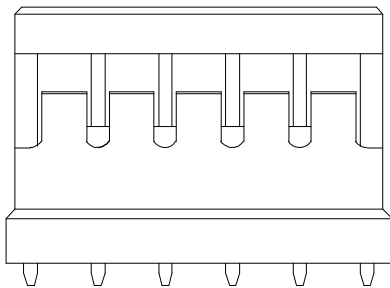
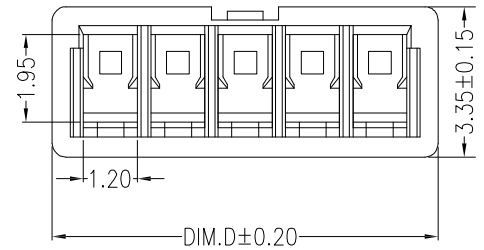
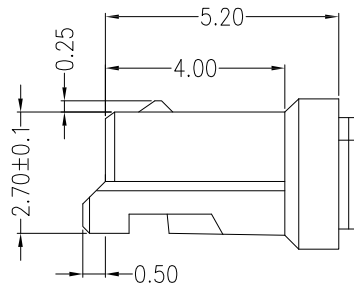
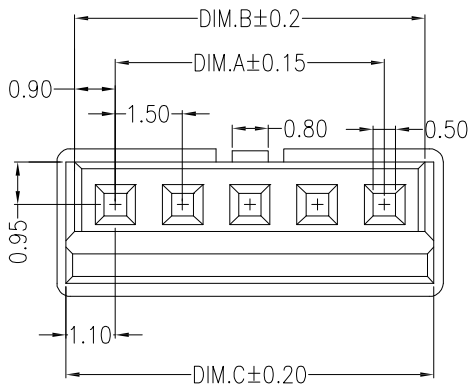
仅供参考

REV.	REVISION RECORD	DATE
A0	新图面发行	2017.06.16



**主要技术参数 Main Specifications**

- 线 数 (Poles): 02 to 15
- 接触电阻 (Contact resistance):  $\leq 20m\Omega$
- 绝缘电阻 (Insulation resistance):  $\geq 500M\Omega$
- 额定电压 (Rated voltage): 125V AC DC
- 额定电流 (Rated current): 2.5A AC DC
- 耐 电 压 (Withstand Voltage): 500V AC/minute
- 温度范围 (Temperature Range):  $-25^{\circ}C \sim +105^{\circ}C$



Circuits	Dimensions (mm)			
	A	B	C	D
2	1.50	3.30	3.70	4.10
3	3.00	4.80	5.20	5.60
4	4.50	6.30	6.70	7.10
5	6.00	7.80	8.20	8.60
6	7.50	9.30	9.70	10.10
7	9.00	10.80	11.20	11.60
8	10.50	12.30	12.70	13.10
9	12.00	13.80	14.20	14.60
10	13.50	15.30	15.70	16.10
11	15.00	16.80	17.20	17.60
12	16.50	18.30	18.70	19.10
13	18.00	19.80	20.20	20.60
14	19.50	21.30	21.70	22.10
15	21.00	22.80	23.20	23.60

A	HOUSING	1 PCS	PA66	COLOR:WHITE
ITFM	COMPONENT	Q'TY	MATERIAL	FINISH

	GENERAL TOLERANCES		SCALE: 1:1	NAME	DATE	深圳市思拓展电子有限公司 SHENZHEN SINOTOP ELECTRONICS CO., LTD 公司网址: www.szsituo.cn 公司电话: 0755-23765350 邮 箱: 2850175982@qq.com 公司传真: 0755-23765341	PART. NO: <b>ST-WF-150-004Y</b>	
	LINEAR	ANGLES	APPROVED				DWG. NO:	
	0.0±0.30	X° REF±6°	DESIGNER					
	UNIT: MM	0.00±0.20	X° ±3°	DRAWN	肖坤权		2017.06.16	TITLE: 1.50mmPITCH HOUSING
SIZE: A4	0.000±0.10	X° X'±2°				REV: A0	SHEET: 1/1	

A B C D E F G H