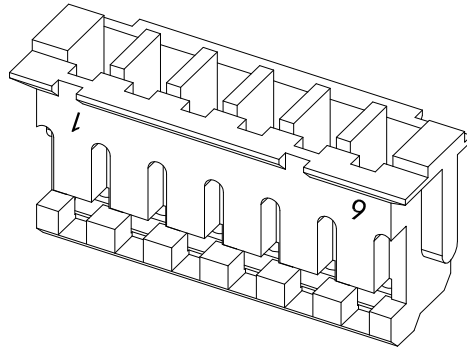


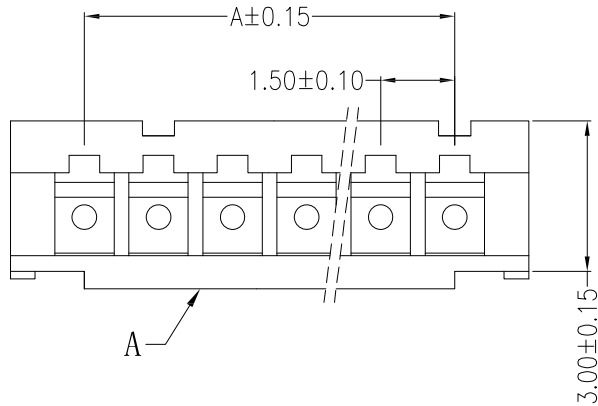
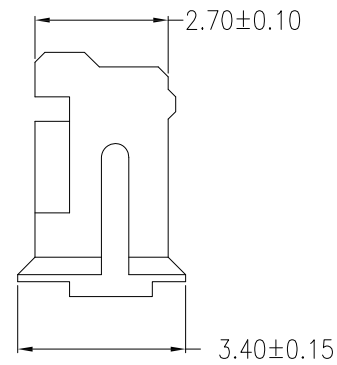
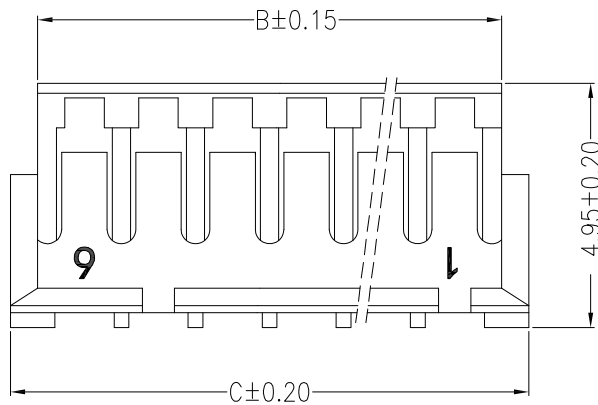
仅供参考

REV.	REVISION RECORD	DATE
A0	新图面发行	2017.06.16



**主要技术参数 Main Specifications**

- 线数 (Poles): 02 to 16
- 接触电阻 (Contact resistance):  $\leq 20m\Omega$
- 绝缘电阻 (Insulation resistance):  $\geq 500M\Omega$
- 额定电压 (Rated voltage): 125V AC DC
- 额定电流 (Rated current): 1.0A AC DC
- 耐电压 (Withstand Voltage): 500V AC/minute
- 温度范围 (Temperature Range):  $-25^{\circ}C \sim +85^{\circ}C$



Circuits	Dimensions (mm)			Circuits	Dimensions (mm)		
	A	B	C		A	B	C
02	1.50	3.40	4.50	10	13.50	15.40	16.50
03	3.00	4.90	6.00	11	15.00	16.90	18.00
04	4.50	6.40	7.50	12	16.50	18.40	19.50
05	6.00	7.90	9.00	13	18.00	19.90	21.00
06	7.50	9.40	10.50	14	19.50	21.40	22.50
07	9.00	10.90	12.00	15	21.00	22.90	24.00
08	10.50	12.40	13.50	16	22.50	24.40	25.50
09	12.00	13.90	15.00				

A	HOUSING	1 PCS	PA66	COLOR:WHITE
ITFM	COMPONENT	Q'TY	MATERIAL	FINISH

	GENERAL TOLERANCES		SCALE: 1:1	NAME	DATE
	LINEAR	ANGLES	APPROVED		
	0.0±0.30	X° REF±6°	DESIGNER		
	UNIT: MM	0.00±0.20	X° ±3°	DRAWN	肖坤权
SIZE: A4	0.000±0.10	X° X'±2°			

深圳市思拓展电子有限公司  
 SHENZHEN SINOTOP ELECTRONICS CO., LTD  
 公司网址: www.szstuo.cn 公司电话: 0755-23765350  
 电子邮箱: 2850175982@qq.com 公司传真: 0755-23765341

TITLE: 1.50mmPITCH HOUSING

PART. NO:	ST-WF-150-001Y
DWG. NO:	
REV:	A0
SHEET:	1/1