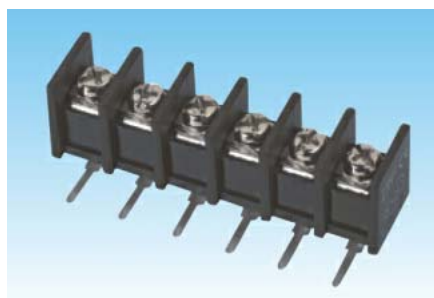
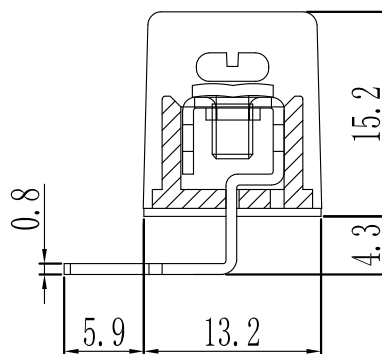
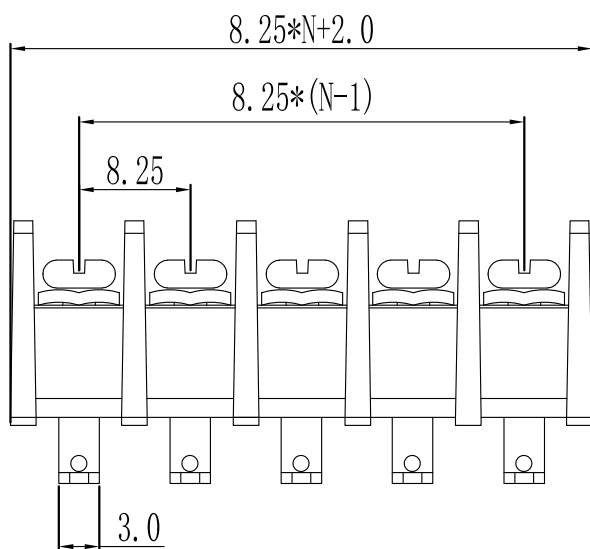


仅供参考

| | | |
|------|-----------------|------------|
| REV. | REVISION RECORD | DATE |
| A0 | 新图面发行 | 2017.06.16 |



| | | |
|-------|-----------------------|----------------------------------|
| 产品型号 | MODEL | ST-30R |
| 材质&电镀 | MATERIAL&PLATING | |
| 螺丝 | Screw | M3.0, 钢, 镀镍 Steel, Nickel Plated |
| 端子 | Terminal | 黄铜, 0.8t 镀锡 Brass, Tin Plated |
| 塑件 | Housing | PA66, UL94V-0 |
| 电气性能 | ELECTRICAL | |
| 额定电压 | Rated voltage | 300V |
| 额定电流 | Rated current | 20A |
| 绝缘电阻 | Insulation resistance | 500MΩ/DC500V |
| 耐电压 | Withstanding voltage | AC2000V/1min |
| 使用线径 | Wire range | 22-14AWG 2.5mm ² |
| 机械性能 | MECHANICAL | |
| 温度范围 | Temp. range | -40℃~+105℃ |
| 扭矩 | Torque | 0.5N.m 4.4Lb.in |



N=Number of Contacts

| | | | | | | | |
|----------|--------------------|-----------|---------------|------|------------|--|-------------------------|
| | GENERAL TOLERANCES | | SCALE: 1:1 | NAME | DATE | 深圳市思拓展电子有限公司 SHENZHEN SINTOP ELECTRONICS CO., LTD 公司网址: www.szsituo.cn 公司电话: 0755-23765350 邮 箱: 2850175982@qq.com 公司传真: 0755-23765341 | PART. NO: ST-TB-0203 |
| | LINEAR | ANGLES | APPROVED | | | | DWG. NO: |
| UNIT: MM | 0.0±0.30 | X° REF±6° | DESIGNER | | | TITLE: Pitch8.25mm | REV: A0 |
| SIZE: A4 | 0.000±0.10 | X° X'±2° | DRAWN | 肖坤权 | 2017.06.16 | American/Japanese Terminal Blocks | SHEET: 1/1 |