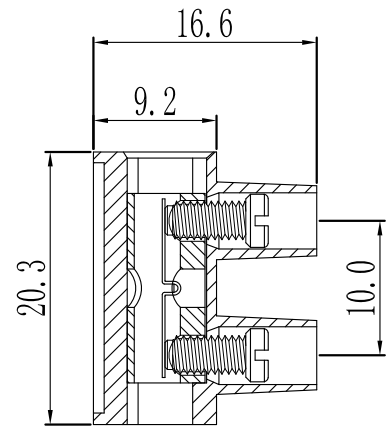
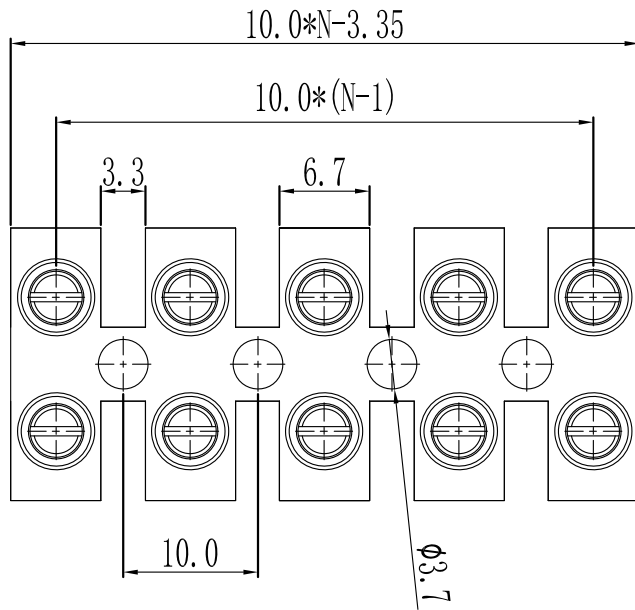


仅供参考

| REV. | REVISION RECORD | DATE         |
|------|-----------------|--------------|
| A0   | 新图面发行           | 2017. 06. 16 |



|        |                     |                                   |
|--------|---------------------|-----------------------------------|
| 产品型号   | MODEL               | ST10HWP                           |
| 材质&电镀  | MATERIAL&PLATING    |                                   |
| 螺丝     | Screw               | M3.0, 钢, 镀锌 Steel, Zinc Plated    |
| 端子     | Terminal            | 黄铜, 镀镍 Brass, Nickel plated       |
| 塑件     | Housing             | Nylon PA66, UL94V-2               |
| 电线保护装置 | Wire protector      | 不锈钢 Stainless Steel               |
| 电气性能   | ELECTRICAL          |                                   |
| 额定电压   | Rated voltage       | AC400V                            |
| 测试电流   | Test current        | to EN 60998:41A                   |
| 使用线径   | Wire range          | 1.5-4.0mm <sup>2</sup>            |
| 机械性能   | MECHANICAL          |                                   |
| 温度范围   | Temp. range         | -40℃~+110℃                        |
| 产品编号   | Product number code | KD10HWP-XP                        |
| 底座高    | High base           | H                                 |
| -      | XP                  | No. of pole 1...12:1pole...12pole |
| -      | WP                  | 保护器 With wire protector           |



N=Number of Contacts

|          |                    |           |               |                        |            |  |                         |            |
|----------|--------------------|-----------|---------------|------------------------|------------|--|-------------------------|------------|
|          | GENERAL TOLERANCES |           | SCALE:<br>1:1 | NAME                   | DATE       | 深圳市思拓展电子有限公司<br>SHENZHEN SINTOP ELECTRONICS CO., LTD<br>公司网址: www.szsituo.cn      公司电话: 0755-23765350<br>邮 箱: 2850175982@qq.com      公司传真: 0755-23765341 | PART. NO:<br>ST-TB-0185 |            |
|          | LINEAR             | ANGLES    |               |                        |            |  | APPROVED                | DWG. NO:   |
|          | 0.0±0.30           | X° REF±6° | DESIGNER      | TITLE:<br>Pitch10.00mm |            |  | REV: A0                 | SHEET: 1/1 |
| UNIT: MM | 0.00±0.20          | X° ±3°    | DRAWN         | 肖坤权                    | 2017.06.16 | Feed Through Terminal Blocks   |                         |            |
| SIZE: A4 | 0.000±0.10         | X° X'±2°  |               |                        |            |  |                         |            |