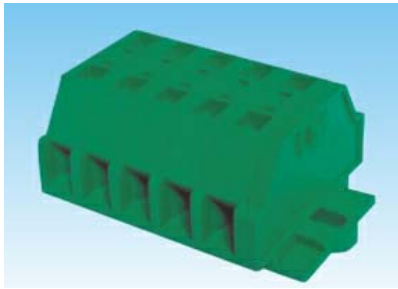
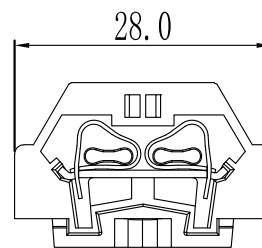
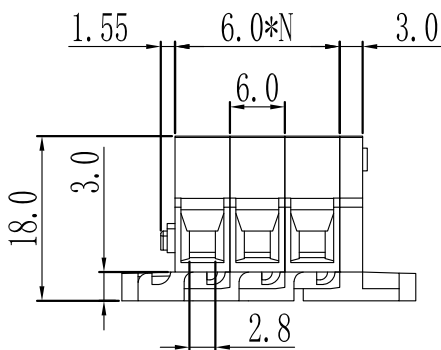
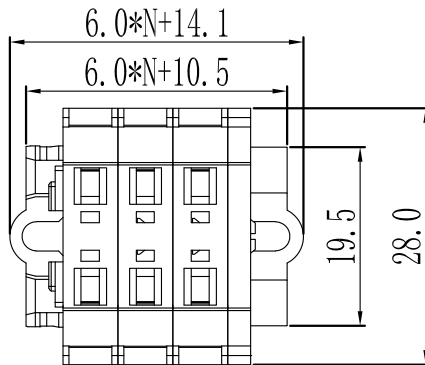


仅供参考

REV.	REVISION RECORD	DATE
A0	新图面发行	2017. 06. 16



产品型号	MODEL	ST256
材质&电镀	MATERIAL&PLATING	
螺丝	Screw	-
弹片	Reed	不锈钢 Stainless steel
焊针	Pin header	黄铜, 镀锡 Brass, Tin plated
塑件	Housing	PA66, UL94V-0
电气性能	ELECTRICAL	IEC
额定电压	Rated voltage	250V
额定电流	Rated current	14A
接触电阻	Contact resistance	20mΩ
绝缘电阻	Insulation resistance	500MΩ/1000V
耐电压	Withstanding voltage	AC2500V/1min
使用线径	Wire range	26-14AWG 2.5mm ²
机械性能	MECHANICAL	
温度范围	Temp. range	-40℃~+105℃
瞬时温度	Max. soldering	+250℃, 5sec
扭矩	Torque	-
剥线长度	Strip length	8-9mm



N=Number of Contacts

	GENERAL TOLERANCES		SCALE: 1:1	NAME	DATE	深圳市思拓展电子有限公司 SHENZHEN SINOTOP ELECTRONICS CO., LTD 公司网址: www.szsituo.cn 公司电话: 0755-23765350 邮 箱: 2850175982@qq.com 公司传真: 0755-23765341	PART. NO: ST-TB-0179	
	LINEAR	ANGLES					APPROVED	DWG. NO:
UNIT: MM	0.0±0.30	X° REF±6°	DESIGNER	TITLE:	Pitch6.00mm	REV:	A0	SHEET: 1/1
SIZE: A4	0.000±0.10	X° X'±2°	DRAWN	肖坤权	2017. 06. 16	Screwless Terminal Blocks		