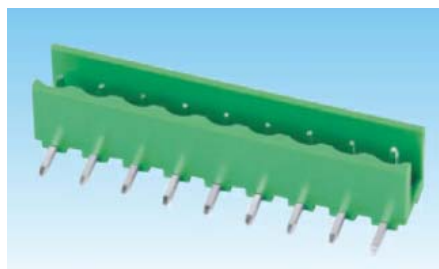
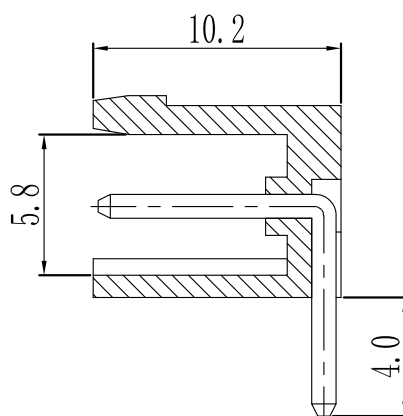
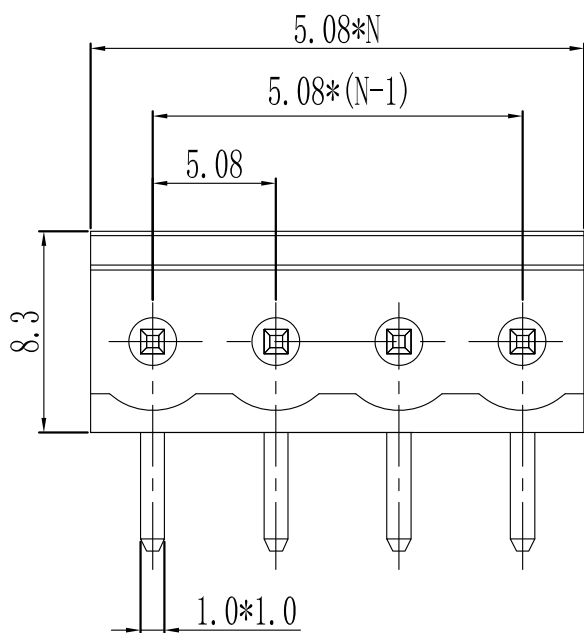


仅供参考

REV.	REVISION RECORD	DATE
A0	新图面发行	2017. 06. 16



产品型号	MODEL	HT508R	
材质&电镀	MATERIAL&PLATING		
螺丝	Screw	-	
弹片	Reed	-	
焊针	Pin header	黄铜, 镀锡	Brass, Tin plated
塑件	Housing	PA66, UL94V-0	
电气性能	ELECTRICAL	UL	IEC
额定电压	Rated voltage	300V	320V
额定电流	Rated current	10A	20A
接触电阻	Contact resistance	20mΩ	
绝缘电阻	Insulation resistance	500MΩ/1000V	
耐电压	Withstanding voltage	AC2000V/1min	
使用线径	Wire range	-	
机械性能	MECHANICAL		
温度范围	Temp. range	-40℃~+105℃	
瞬时温度	Max. soldering	+250℃, 5sec	
扭矩	Torque	-	
剥线长度	Strip length	-	



N=Number of Contacts

	GENERAL TOLERANCES		SCALE: 1:1	NAME	DATE	深圳市思拓展电子有限公司 SHENZHEN SINTOP ELECTRONICS CO., LTD 公司网址: www.szsituo.cn 公司电话: 0755-23765350 邮 箱: 2850175982@qq.com 公司传真: 0755-23765341	PART. NO: ST-TB-0123	
	LINEAR	ANGLES					APPROVED	
	0.0±0.30	X° REF±6°	DESIGNER			TITLE:	Pitch5.08mm	
UNIT: MM	0.00±0.20	X° ±3°	DRAWN	肖坤权	2017.06.16	Pluggable Terminal Blocks		REV: A0
SIZE: A4	0.000±0.10	X° X'±2°						SHEET: 1/1