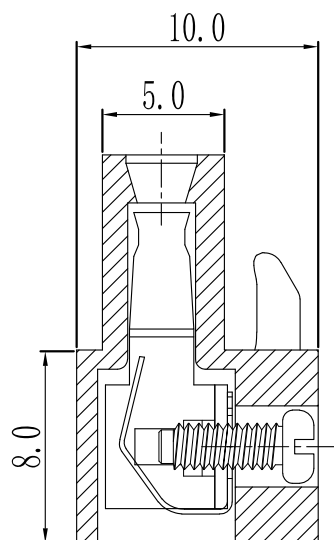
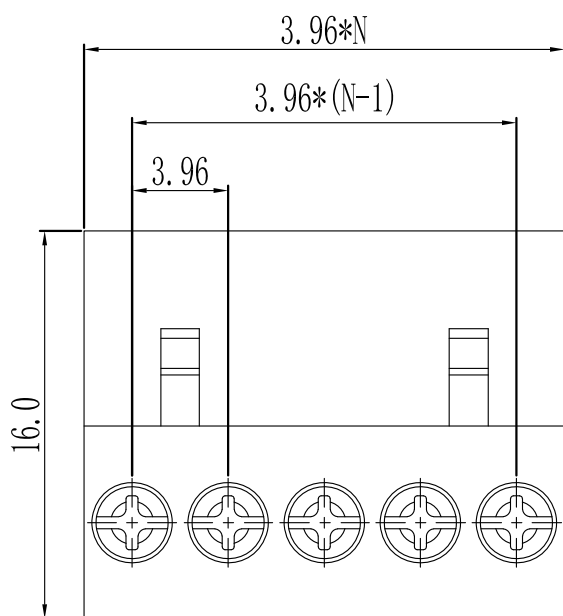


仅供参考

REV.	REVISION RECORD	DATE
A0	新图面发行	2017.06.16



产品型号	MODEL	HT396	
材质&电镀	MATERIAL&PLATING		
螺丝	Screw	M2.0, 钢, 镀锌 Steel, Zinc Plated	
弹片	Reed	磷青铜 Phosphor Bronze	
焊针	Pin header	-	
塑件	Housing	PA66, UL94V-0	
电气性能	ELECTRICAL	UL	IEC
额定电压	Rated voltage	300V	250V
额定电流	Rated current	16A	15A
接触电阻	Contact resistance	20mΩ	
绝缘电阻	Insulation resistance	500MΩ/1000V	
耐电压	Withstanding voltage	AC1500V/1min	
使用线径	Wire range	28-14AWG 1.5mm ²	
机械性能	MECHANICAL		
温度范围	Temp. range	-40°C~+105°C	
瞬时温度	Max. soldering	+250°C, 5sec	
扭矩	Torque	0.2N.m 1.7Lb.in	
剥线长度	Strip length	7-8mm	



N=Number of Contacts

	GENERAL TOLERANCES		SCALE: 1:1	NAME	DATE	深圳市思拓展电子有限公司 SHENZHEN SINTOP ELECTRONICS CO., LTD 公司网址: www.szsituo.cn 公司电话: 0755-23765350 邮 箱: 2850175982@qq.com 公司传真: 0755-23765341	PART. NO: ST-TB-0118	
	LINEAR	ANGLES					APPROVED	DWG. NO:
UNIT: MM	0.0±0.30	X° REF±6°	DESIGNER	TITLE: Pitch3.96mm Pluggable Terminal Blocks		REV: A0	SHEET: 1/1	
SIZE: A4	0.000±0.10	X° X'±2°	DRAWN	肖坤权	2017.06.16			