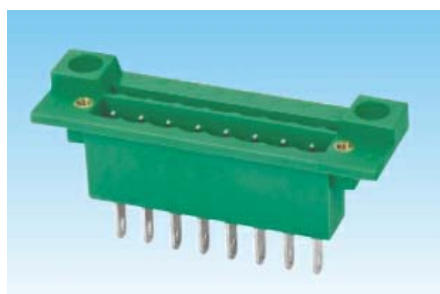
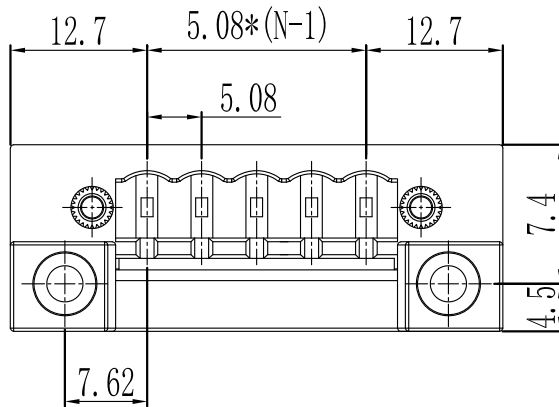
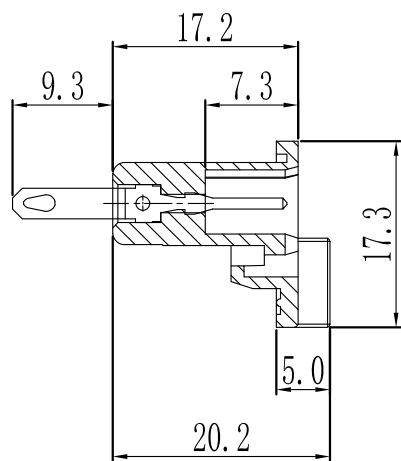


仅供参考

| | | |
|------|-----------------|------------|
| REV. | REVISION RECORD | DATE |
| A0 | 新图面发行 | 2017.06.16 |



| | | | |
|-------|-----------------------|---------------|-------------------|
| 产品型号 | MODEL | ST1024 | |
| 材质&电镀 | MATERIAL&PLATING | | |
| 螺丝 | Screw | - | |
| 弹片 | Reed | - | |
| 焊针 | Pin header | 黄铜, 镀锡 | Brass, Tin plated |
| 塑件 | Housing | PA66, UL94V-0 | |
| 电气性能 | ELECTRICAL | UL | IEC |
| 额定电压 | Rated voltage | 300V | 320V |
| 额定电流 | Rated current | 15A | 20A |
| 接触电阻 | Contact resistance | 20mΩ | |
| 绝缘电阻 | Insulation resistance | 500MΩ/1000V | |
| 耐电压 | Withstanding voltage | AC2000V/1min | |
| 使用线径 | Wire range | - | |
| 机械性能 | MECHANICAL | | |
| 温度范围 | Temp. range | -40℃~+105℃ | |
| 瞬时温度 | Max. soldering | +250℃, 5sec | |
| 扭矩 | Torque | - | |
| 剥线长度 | Strip length | - | |



N=Number of Contacts

| | | | | | | | | |
|----------|--------------------|-----------|---------------|------|------------|--|-------------------------|---------|
| | GENERAL TOLERANCES | | SCALE: 1:1 | NAME | DATE | 深圳市思拓展电子有限公司 SHENZHEN SINOTOP ELECTRONICS CO., LTD 公司网址: www.szsituo.cn 公司电话: 0755-23765350 电子邮箱: 2850175982@qq.com 公司传真: 0755-23765341 | PART. NO: ST-TB-0117 | |
| | LINEAR | ANGLES | | | | | APPROVED | |
| | 0.0±0.30 | X° REF±6° | DESIGNER | | | TITLE: | Pitch5.08mm | |
| UNIT: MM | 0.00±0.20 | X° ±3° | DRAWN | 肖坤权 | 2017.06.16 | Pluggable Terminal Blocks | | REV: A0 |
| SIZE: A4 | 0.000±0.10 | X° X'±2° | | | | | SHEET: | 1/1 |