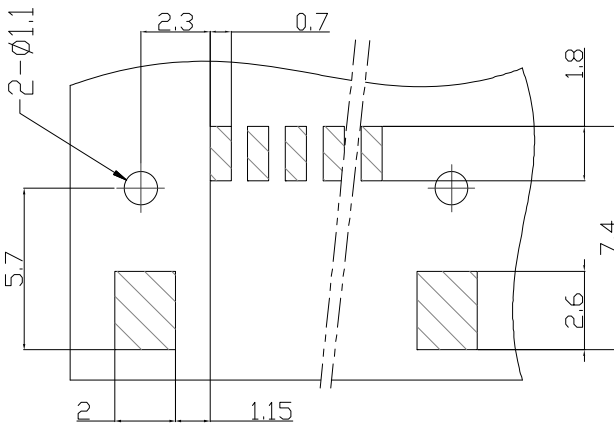
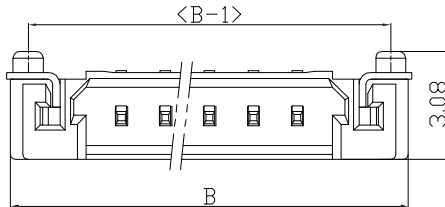
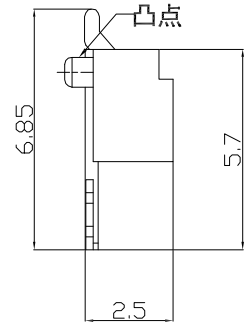
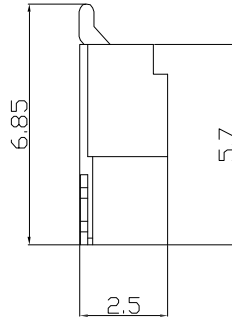
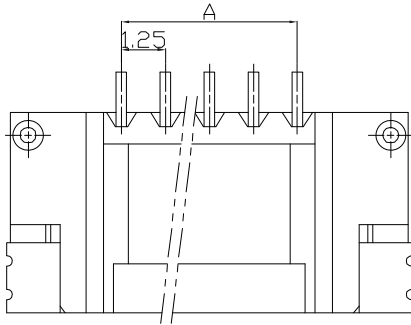


仅供参考

|      |                 |            |
|------|-----------------|------------|
| REV. | REVISION RECORD | DATE       |
| A0   | 新图面发行           | 2017.06.16 |

**主要技术参数 Main Specifications**

线 数 (Poles): 02 to 30  
 接触电阻 (Contact resistance):  $\leq 20m\Omega$   
 绝缘电阻 (Insulation resistance):  $\geq 500M\Omega$   
 额定电压 (Rated voltage): 150V AC DC  
 额定电流 (Rated current): 1.0A AC DC  
 耐 电 压 (Withstand Voltage): 500V AC/minute  
 温度范围 (Temperature Range):  $-25^{\circ}C \sim +85^{\circ}C$



**P. C. B LAYOUT**

| Poles | Dimensions mm |       |
|-------|---------------|-------|
|       | A             | B     |
| 2     | 1.25          | 7.55  |
| 3     | 2.50          | 8.80  |
| 4     | 3.75          | 10.05 |
| 5     | 5.00          | 11.30 |
| 6     | 6.25          | 12.55 |
| 7     | 7.50          | 13.80 |
| 8     | 8.75          | 15.05 |
| 9     | 10.00         | 16.30 |
| 10    | 11.25         | 17.55 |
| 11    | 12.50         | 18.80 |
| 12    | 13.75         | 20.05 |
| 13    | 15.00         | 21.30 |
| 14    | 16.25         | 22.55 |
| 15    | 17.50         | 23.80 |
| 16    | 18.75         | 25.05 |
| 17    | 20.00         | 26.30 |
| 18    | 21.25         | 27.55 |
| 19    | 22.50         | 28.80 |
| 20    | 23.75         | 30.05 |
| ...   | ...           | ...   |
| 30    | 36.25         | 42.55 |

|    |               |                          |     |     |     |
|----|---------------|--------------------------|-----|-----|-----|
| 3  | 焊片            | Phos Bronze tin<br>磷青铜镀锡 | 2   |     |     |
| 2  | Pin<br>针      | Phos Bronze tin<br>磷青铜镀锡 | N   |     |     |
| 1  | Housing<br>基座 | PA9T (UL94V-0)           | 1   |     |     |
| 序号 | 图 号           | 名称                       | 材 料 | 数 量 | 附 注 |

|          |                    |             |               |          |            |  |                  |         |
|----------|--------------------|-------------|---------------|----------|------------|--|------------------|---------|
|          | GENERAL TOLERANCES |             | SCALE:<br>1:1 | NAME     | DATE       | 深圳市思拓展电子有限公司<br>SHENZHEN SINOTOP ELECTRONICS CO., LTD<br>公司网址: www.szstuo.cn 公司电话: 0755-23765350<br>邮 箱: 2850175982@qq.com 公司传真: 0755-23765341 | PART. NO:        |         |
|          | LINEAR             | ANGLES      |               |          |            |  | ST-WF-125-006AWB |         |
|          | 0.0 ± 0.30         | X° REF ± 6° | APPROVED      |          | DWG. NO:   |  |                  |         |
|          | UNIT: MM           | 0.00 ± 0.20 | X° ± 3°       | DESIGNER |            |  | TITLE:           | REV: A0 |
| SIZE: A4 | 0.000 ± 0.10       | X° X' ± 2°  | DRAWN         | 肖坤权      | 2017.06.16 | 1. 2.5mm PITCH 90° WAFER SMT TYPE  |                  |         |