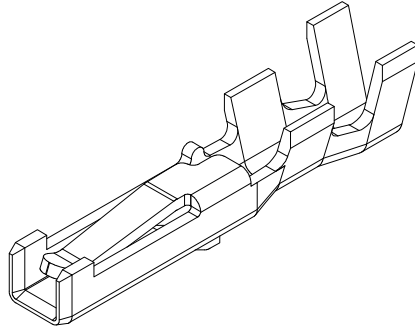


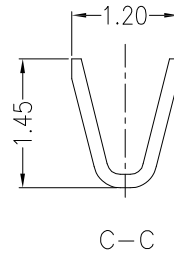
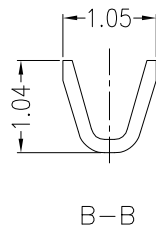
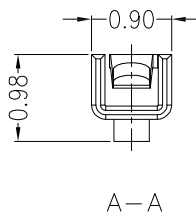
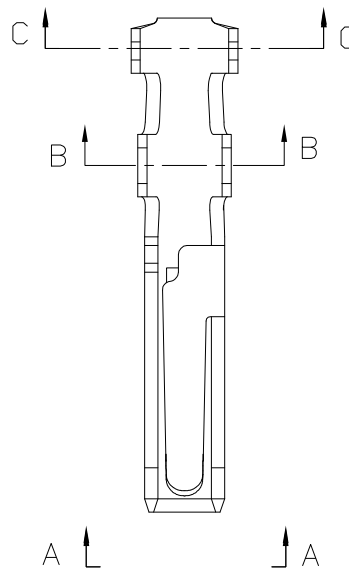
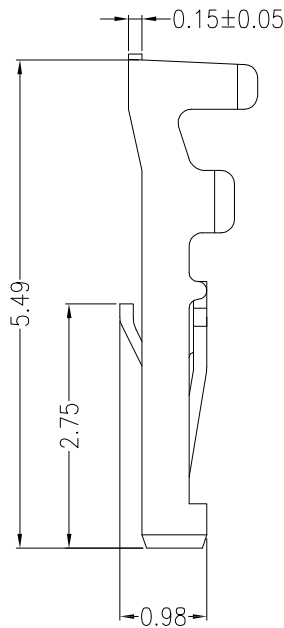
仅供参考

| REV. | REVISION RECORD | DATE |
|------|-----------------|------------|
| A0 | 新图面发行 | 2017.06.16 |



Specifications:

Contact resistance: $\leq 20m\Omega$
 Insulation resistance: $\geq 100M\Omega$
 Rated voltage: 125V AC DC
 Rated current: 1.0A AC DC
 Withstand Voltage: 500V AC/minute
 Temperature Range: $-25^{\circ}C \sim +85^{\circ}C$



| Wire Range | Insulation O. D. | Material | Finish | Qty/Reel |
|-------------|------------------|-----------------|------------|------------|
| AWG #28~#32 | 0.90mm (max) | Phosphor bronze | Tin-plated | 10.000 pcs |

| | | | | | | | | |
|----------|--------------------|-----------|------------|------|------------|---|-----------------------------|------------|
| | GENERAL TOLERANCES | | SCALE: 1:1 | NAME | DATE | 深圳市思拓展电子有限公司 SHENZHEN SINOTOP ELECTRONICS CO., LTD 公司网址: www.szstuo.cn 公司电话: 0755-23765350 邮箱: 2850175982@qq.com 公司传真: 0755-23765341 | PART. NO: ST-WF-125-004T | |
| | LINEAR | ANGLES | APPROVED | | | | DWG. NO: | |
| UNIT: MM | 0.0±0.30 | X° REF±6° | DESIGNER | | | TITLE: | REV: A0 | SHEET: 1/1 |
| SIZE: A4 | 0.000±0.10 | X° X'±2° | DRAWN | 肖坤权 | 2017.06.16 | 1. 2.5mm PITCH TERMINAL | | |