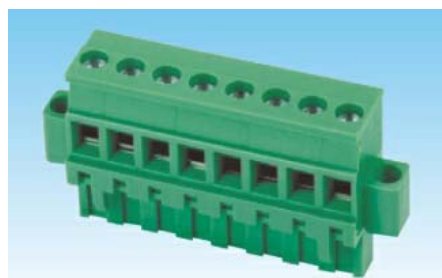
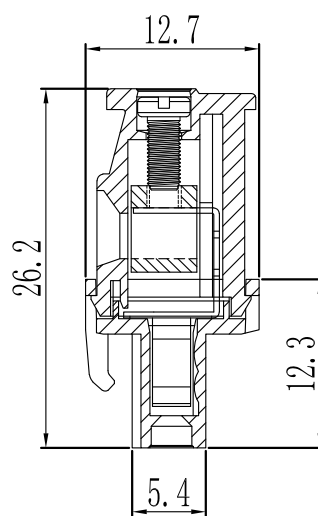
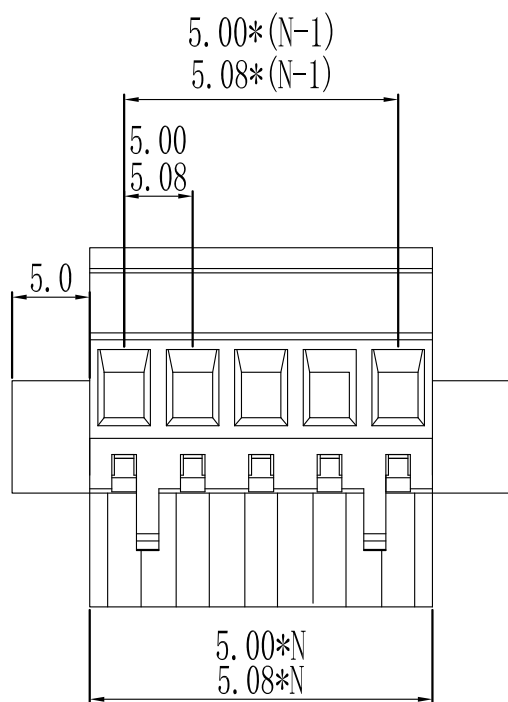


仅供参考

|      |                 |            |
|------|-----------------|------------|
| REV. | REVISION RECORD | DATE       |
| A0   | 新图面发行           | 2017.06.16 |



|       |                       |                             |                    |
|-------|-----------------------|-----------------------------|--------------------|
| 产品型号  | MODEL                 | ST2EDGKAM                   |                    |
| 材质&电镀 | MATERIAL&PLATING      |                             |                    |
| 螺丝    | Screw                 | M2.5, 钢, 镀锌                 | Steel, Zinc Plated |
| 弹片    | Reed                  | 磷青铜 Phosphor Bronze         |                    |
| 焊针    | Pin header            | -                           |                    |
| 塑件    | Housing               | PA66, UL94V-0               |                    |
| 电气性能  | ELECTRICAL            | UL                          | IEC                |
| 额定电压  | Rated voltage         | 300V                        | 320V               |
| 额定电流  | Rated current         | 15A                         | 10A                |
| 接触电阻  | Contact resistance    | 20mΩ                        |                    |
| 绝缘电阻  | Insulation resistance | 500MΩ/1000V                 |                    |
| 耐压    | Withstanding voltage  | AC2000V/1min                |                    |
| 使用线径  | Wire range            | 28-12AWG 2.5mm <sup>2</sup> |                    |
| 机械性能  | MECHANICAL            |                             |                    |
| 温度范围  | Temp. range           | -40℃~+105℃                  |                    |
| 瞬时温度  | Max. soldering        | +250℃, 5sec                 |                    |
| 扭矩    | Torque                | 0.4N.m 3.5lb.in             |                    |
| 剥线长度  | Strip length          | 7-8mm                       |                    |



N=Number of Contacts

|          |                    |           |               |      |            |  |                         |
|----------|--------------------|-----------|---------------|------|------------|--|-------------------------|
|          | GENERAL TOLERANCES |           | SCALE:<br>1:1 | NAME | DATE       | 深圳市思拓展电子有限公司<br>SHENZHEN SINTOP ELECTRONICS CO., LTD<br>公司网址: www.szsituo.cn      公司电话: 0755-23765350<br>邮 箱: 2850175982@qq.com      公司传真: 0755-23765341 | PART. NO:<br>ST-TB-0107 |
|          | LINEAR             | ANGLES    | APPROVED      |      |            |  | DWG. NO:                |
| UNIT: MM | 0.0±0.30           | X° REF±6° | DESIGNER      |      |            | TITLE: Pitch5.00/5.08mm<br>Pluggable Terminal Blocks   | REV: A0                 |
| SIZE: A4 | 0.000±0.10         | X° X'±2°  | DRAWN         | 肖坤权  | 2017.06.16 |  | SHEET: 1/1              |