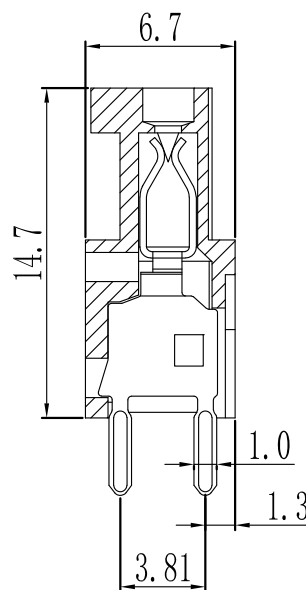
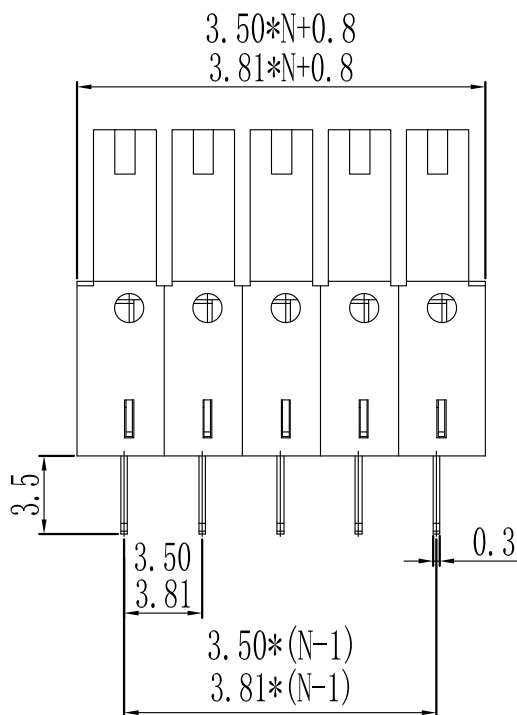


仅供参考

REV.	REVISION RECORD	DATE
A0	新图面发行	2017.06.16



产品型号	MODEL	ST12EFV
材质&电镀	MATERIAL&PLATING	
螺丝	Screw	-
弹片	Reed	-
焊针	Pin header	磷青铜, 镀锡 Phosphor Bronze, Tin plated
塑件	Housing	PA66, UL94V-0
电气性能	ELECTRICAL	UL IEC
额定电压	Rated voltage	300V 250V
额定电流	Rated current	8A 7A
接触电阻	Contact resistance	20mΩ
绝缘电阻	Insulation resistance	500MΩ/1000V
耐电压	Withstanding voltage	AC1500V/1min
使用线径	Wire range	-
机械性能	MECHANICAL	
温度范围	Temp. range	-40℃~+105℃
瞬时温度	Max. soldering	+250℃, 5sec
扭矩	Torque	-
剥线长度	Strip length	-



N=Number of Contacts

	GENERAL TOLERANCES		SCALE: 1:1	NAME	DATE	深圳市思拓展电子有限公司 SHENZHEN SINTOP ELECTRONICS CO., LTD 公司网址: www.szsituo.cn 公司电话: 0755-23765350 邮 箱: 2850175982@qq.com 公司传真: 0755-23765341	PART. NO: ST-TB-0080
	LINEAR	ANGLES	APPROVED				DWG. NO:
UNIT: MM	0.00±0.30	X° REF±6°	DESIGNER			TITLE: Pitch3.50/3.81mm Pluggable Terminal Blocks	REV: A0
SIZE: A4	0.000±0.10	X° X'±2°	DRAWN	肖坤权	2017.06.16		SHEET: 1/1